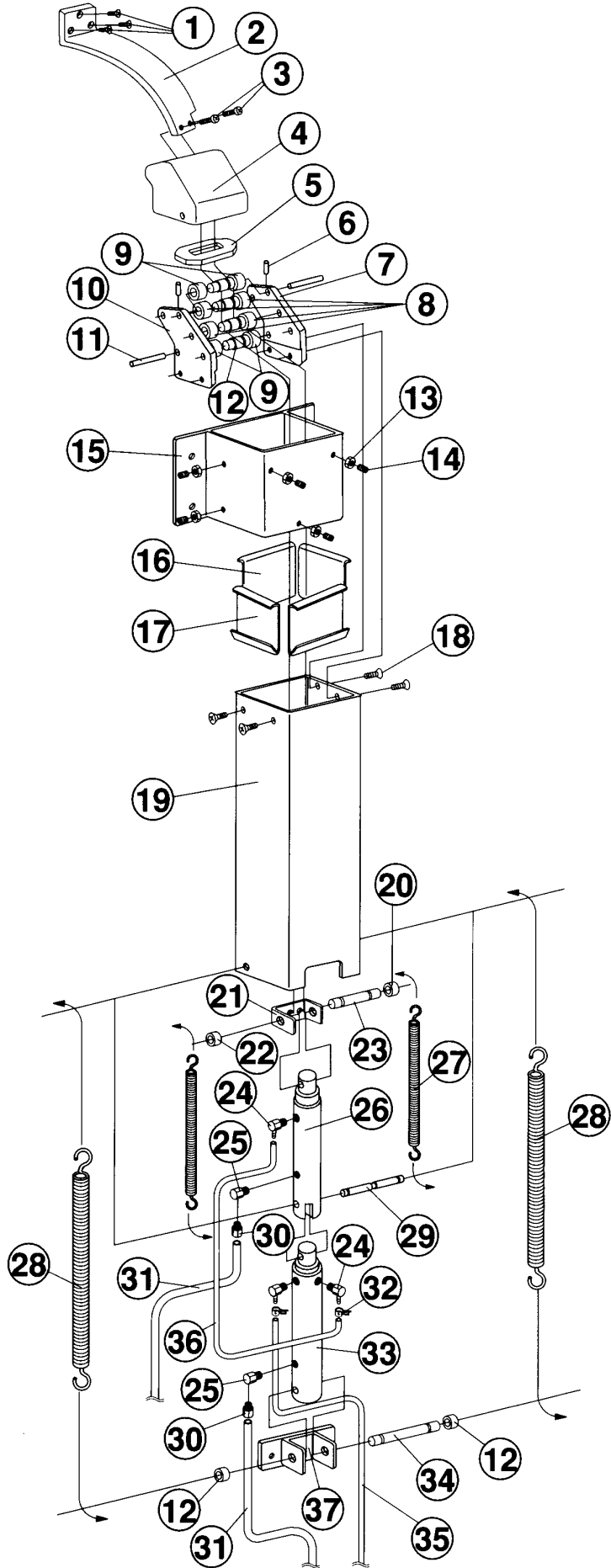


**SP-CIELA CHAIR SECTION PARTS LIST  
TABLE OF CONTENTS**

	PAGE
1.POWER HEADREST SECTION -----	2
2.BACKREST SECTION -----	4
3. SEAT SECTION -----	6
4.BASE COVER SECTION -----	7
5.FLANGE SECTION -----	8
6.LEGREST SECTION -----	11
7.BASE SECTION -----	13

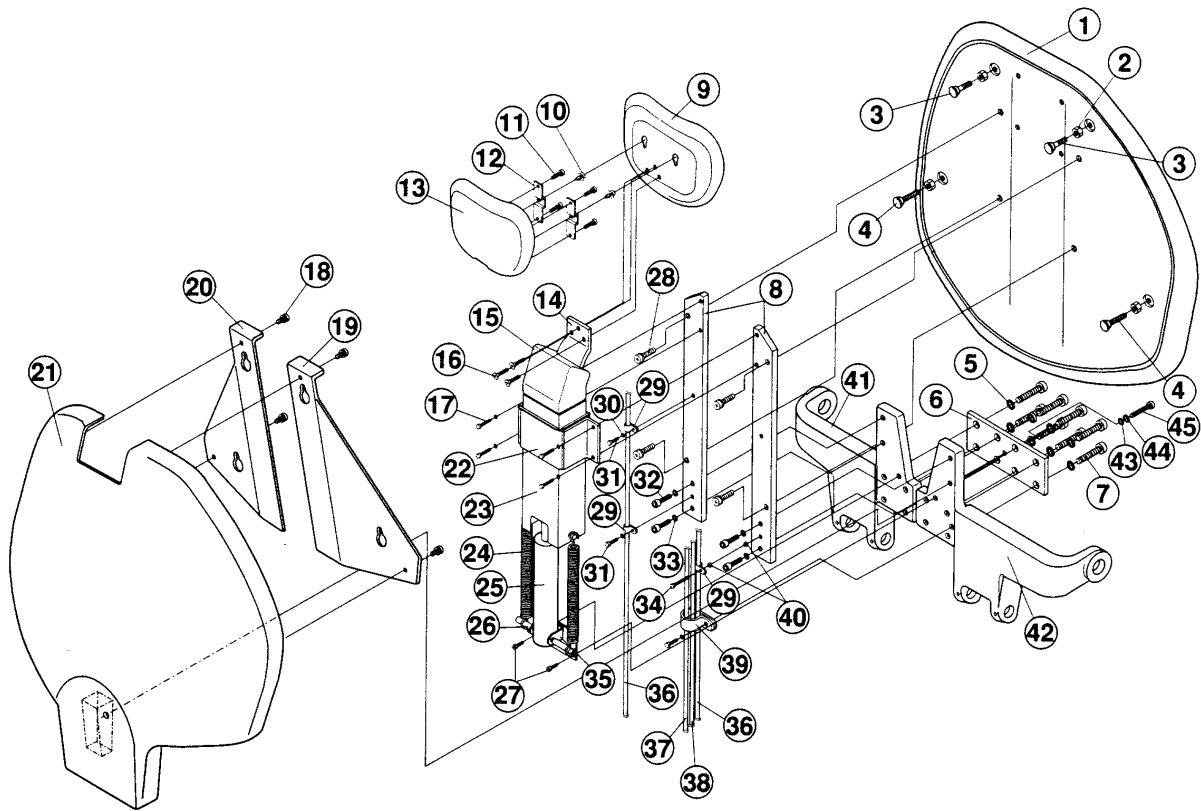
# 1. POWER HEADREST SECTION



## 1. POWER HEADREST SECTION

INDEX NO.	PARTS NO.	DESCRIPTION	Q'TY
1	-----	Flat Head Screw M5-8	3
2	F07-P3964	Headrest Bar	1
3	-----	Flat Head Screw M5-6	2
4	F07-P3972	Headrest Bar Cover	1
5	F07-R3546	Headrest Bar Guide Rubber	1
6	-----	Hex Socket Screw M4-6	2
7	F07-R3509	Support Plate (Right)	1
8	F07-DAQS32A0	Roller	4
9	F07-X6336	Bearing (FJ69)	4
10	F07-R3510	Support Plate (Left)	1
11	F07-R3512	Bearing Shaft	4
12	F07-P3971	Spacer (L15)	8
13	-----	Nut M4	7
14	-----	Hex Socket Screw M4-5	5
15	F07-P3970	Headrest Bar Guide A	1
16	F07-R3544	Slide PlateL ( t 0.8 )	2
17	F07-R3545	Slide Plate S ( t 0.8 )	2
18	-----	Flat Head Screw M5-6	4
19	F07-P3971	Headrest Bar Guide B	1
20	F07-X6337	Spacer ( L 7 )	1
21	F07-R3514	Headrest Angle Cylinder Bracket	1
22	F07-X6334	Spacer ( L 10 )	1
23	F07-R3515	Rod Pin ( S )	1
24	F07-R3518	L-Headrest Hose Nipple	3
25	F07-R3520	Headrest Nepple (PT 1/16")	2
26	F07-TDMP30A1	Headrest Angle Cylinder Ass'y	1
27	F07-P3973	Headrest Angle Spring	2
28	F07-J3608	Headrest Extention Spring	2
29	F07-R3516	Rod Pin (M)	1
30	F07-SALA01A0	S-Mini Hose Joint Straight 01	2
31	F07-X5513	Hylon Tubing UN-1/4 4/6 1.58m	1
32	F07-X7990	Clamp (N01-055)	2
33	F07-TDMJ07A1	Headrest Extension Cyrinder Ass'y	1
34	F07-R3517	Rod Pin (L)	1
35	F07-R3492	Hylon Hose (L1800)	1
36	F07-R1362	Hylon Hose (L1300)	1
37	F07-DAOR71A0	Headrest Extension Cyrinder Bracket	1

## 2. BACKREST SECTION

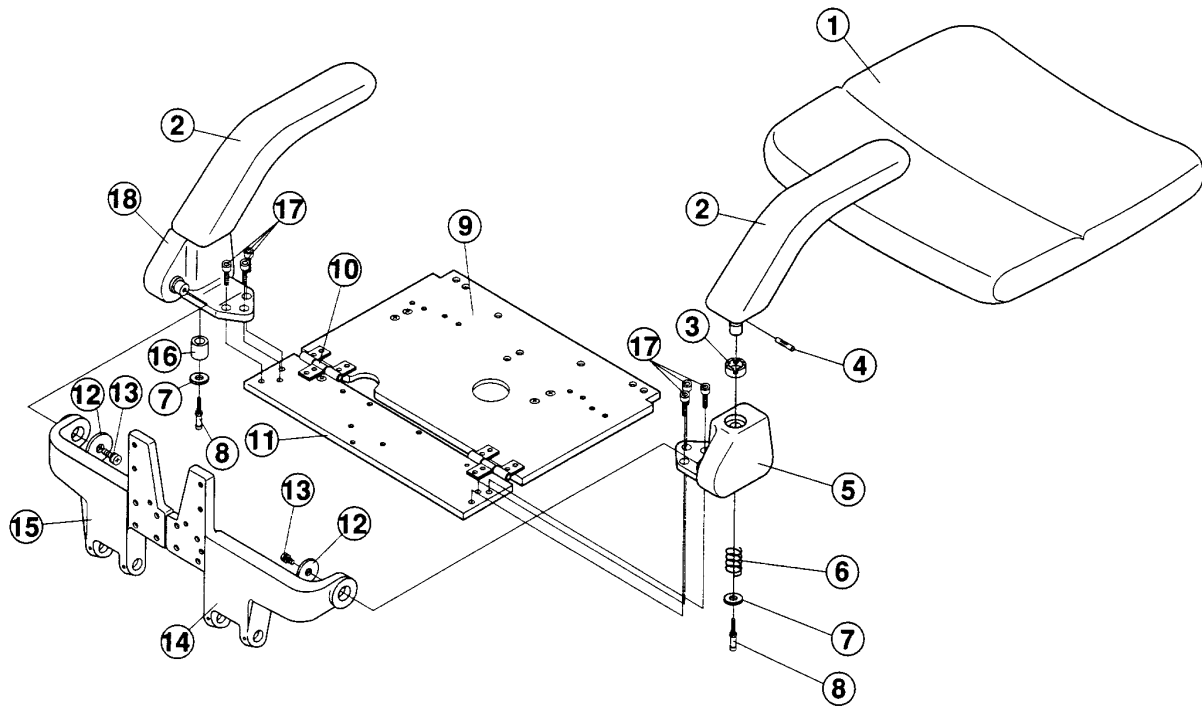


INDEX NO.	PARTS NO.	DESCRIPTION	Q'TY
1	-----	Backrest Ass'y	1
2	-----	Nut M6	4
3	F07-DAOR69A0	Backrest Cover Fixing Ass'y (S)	2
4	F07-DAOR70A0	Backrest Cover Fixing Bolt (L)	2
5	-----	Spring Washer M8	8
6	F07-N3523	Back Supprt Joint	1
7	-----	Hex Socket Head Screw	8
8	F07-DAOE47A0	Backrest Plate	2
9	-----	Headrest Cushion Ass'y	1
10	F07-DEOR55A0	Rivet CT216	2
11	-----	Truss Head Screw M4-6	4
12	F07-DAOR77A0	Headrest Cover Fixing Bracket	2
13	F07-HAOF81A0	Headrest Rear Cover	1
14	F07-P3964	Backrest Ass'y	1
15	F07-P3972	Headrest Rear Cover	1
16	-----	Flat Head Screw M5-8	3
17	-----	Round Head Screw M5-12	4
18	-----	Round Head Screw M4-8	4
19	F07-DAOE44A0	Backrest Cover Fixing Bracket (Right)	1
20	F07-DAOE43A0	Backrest Cover Fixing Bracket (Left)	1
21	F07-HAOF82A0	Backrest Cushion Rear Cover	1
22	F07-P3970	Headrest Bar Guide A	1
23	F07-P3971	Headrest Bar Guide B	1

## 2. BACKREST SECTION

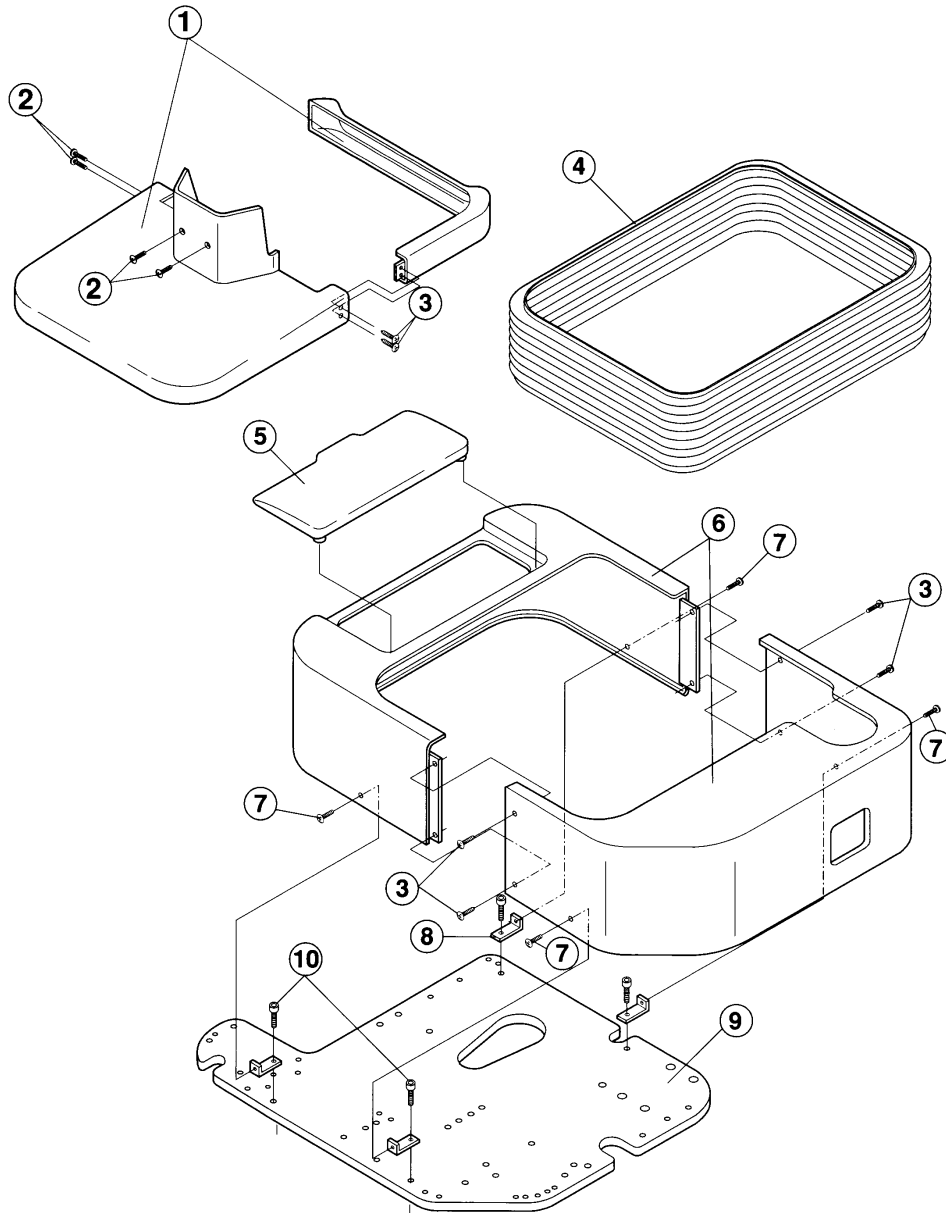
INDEX NO.	PARTS NO.	DESCRIPTION	Q'TY
24	F07-J3608	Headrest Extension Spring	2
25	F07-TDMJ07A1	Headrest Extension Cylinder Ass'y	1
26	F07-3517	Rod Pin (L)	1
27	-----	Round Head Screw M6-12	2
28	-----	Round Head Screw M5-20	4
29	F07-F3334	Nylon Clamp 3305 5/16	3
30	-----	Flat Washer	7
31	-----	Round Screw M5-10	3
32	-----	Hex Head Screw M5-45	4
33	-----	Spring Washer M8	4
34	-----	Round Head Screw M5-45	1
35	F07-DAOR71A0	Headrest Extension Cylinder Bracket	1
36	F07-X5513	Hylon Tubing UN-1/4 4-5 1.58m	1
37	F07-R1362	Hylon Hose (SOL-Up)	1
38	F07-R3492	Hylon Hose (SOL-Angle)	1
39	F07-X5054	Nylon Clamp 3322	1
40	-----	M5 Nut	2
41	F07-L3604	Back Support (Left)	1
42	F07-L3603	Back Support (Right)	1
43	-----	M5 Flat Washer	1
44	-----	M4 Flat Washer	1
45	-----	Round Head Screw M4-30	1

### 3. SEAT SECTION



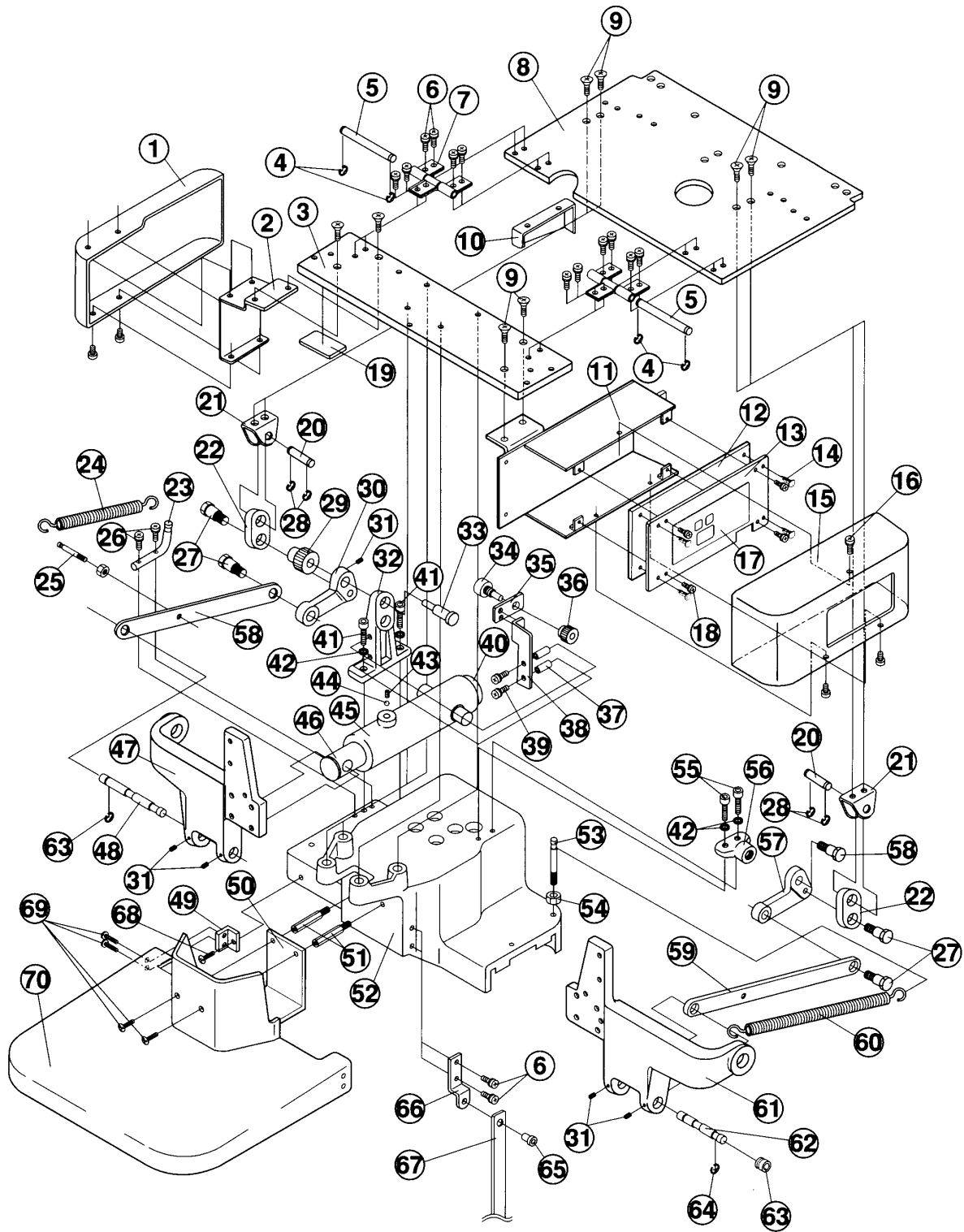
INDEX NO.	PARTS NO.	DESCRIPTION	Q'TY
1	-----	Seat Cushion Ass'y	1
2	F07-DAME37AA	Armrest	2
3	F07-Q3502	Armrest Cam	2
4	F07-Q3586	Armrest Pin	2
5	F07-DAOE51A0	Armrest Bracket (Right)	1
6	F07-Q3505	Armrest Spring	1
7	F07-U3689	Flat Washer	2
8	-----	Screw Set (M6-30)	2
9	F07-K3231	Seat plate B	1
10	F07-Q3306	Seat Hinge	6
11	F07-K3230	Seat Plate A	1
12	F07-Q3503	Back Support Washer	2
13	-----	Flat Head Screw M5-20	2
14	F07-L3603	Back Support (Right)	1
15	F07-L3604	Back Support (Left)	1
16	F07-Q3642	Collar	1
17	-----	Socket Head Cap Screw M8-15	1
18	F07-DAOE52A0	Armrest Bracket (Left)	1

#### 4. BASE COVER SECTION



INDEX NO.	PARTS NO.	DESCRIPTION	Q'TY
1	F07-HAME42A0	Upper Pump Cover (Front & Rear)	1
2	-----	Truss Head Screw M4-10 (White Head)	4
3	-----	Tapping Screw M4-10 (White Head)	6
4	F07-DAMB63AA	Bellows	1
5	F07-HAME06A0	Lid	1
6	F07-HAME14A0	Pump Cover Set	1
7	-----	Truss Head Screw M5-10	4
8	F07-Q3307	Pump Cover Bracket	4
9	F07-DAOB40A0	Base Plate	1
10	-----	Round Head Screw M5-12	4

# 5. FLANGE SECTION





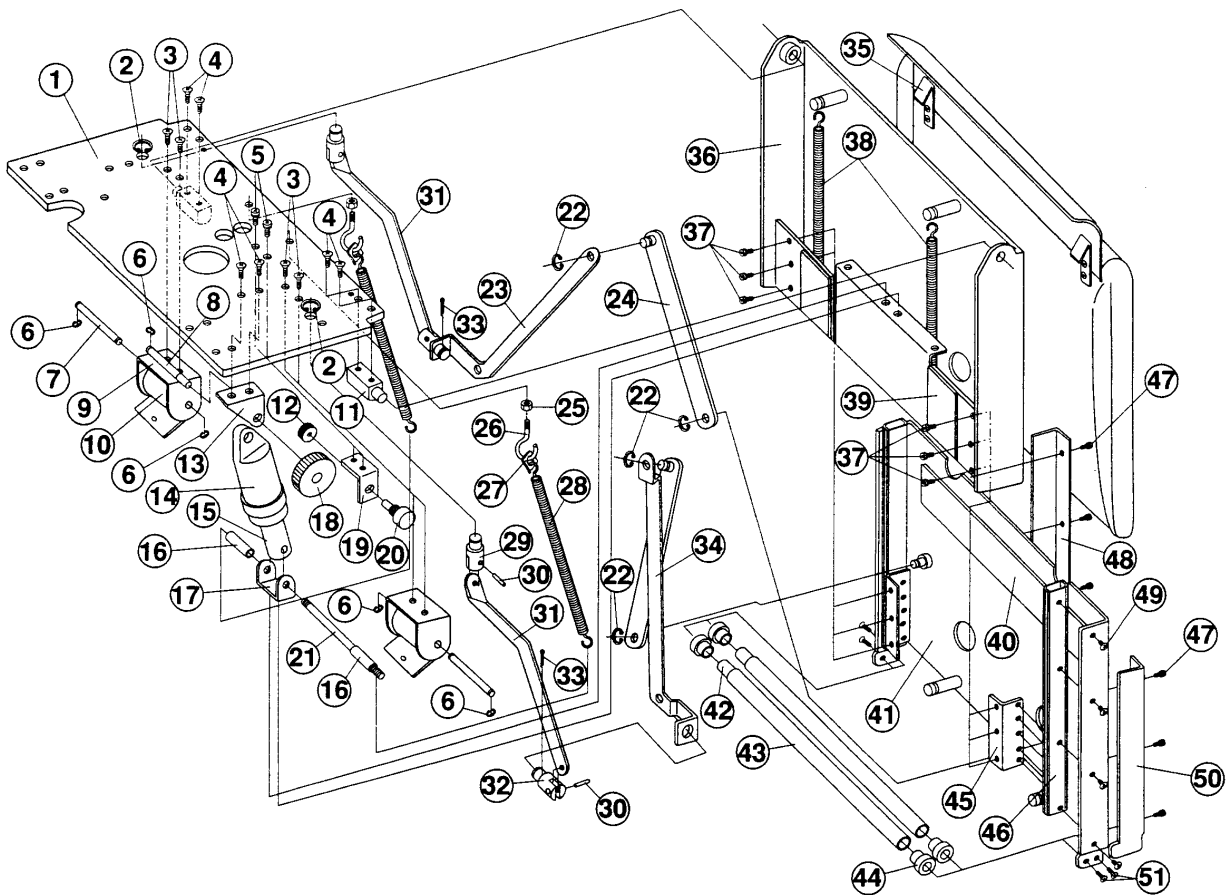
## 5. FLANGE SECTION

INDEX NO.	PARTS NO.	DESCRIPTION	Q'TY
1	F07-HAME59A0	Side Cover	1
2	F07-T3361	Side Cover Bracket	1
3	F07-K3230	Seat Plate A	1
4	-----	E-Ring 6	4
5	F07-R3675	Seat Hinge Pin	2
6	-----	Round Head Screw M6-12	12
7	F07-Q3306	Seat Hinge	6
8	F07-K3231	Seat Plate B	1
9	-----	Flut Head Screw	8
10	F07-N3504	Side Protector	1
11	F07-K3234	Control P.C.B. Box	1
12	F07-DEMS43AA	Control P.C.B.	1
13	F07-DALJ01AA	Preset P.C.B.	1
14	F07-DELR09AA	Spacer	4
15	F07-HAME05A0	P.C.B. Cover	1
16	-----	Round Head Screw M3-6	4
17	F07-DALJ36AA	Switch Panel	1
18	-----	Round Head Screw M3-6	3
19	F07-U3789	Ram Protection Rubber	1
20	F07-Q3314	Tilt Link Bracket Pin	2
21	F07-U3683	Tilt Link Bracket	2
22	F07-U3682	Tilt Link (B)	2
23	F07-R3673	Reclining Spring Hook (S)	1
24	F07-J3715	Reclining Spring (S)	1
25	F07-S3206	Reclining Spring Bolt	1
26	-----	Round Head Screw M6-20	2
27	F07-S3510	Tilt Bracket Shoulder Bolt	4
28	-----	E-Ring 7	4
29	F07-X4207	Gear (L)	1
30	F07-T3667	Tilt Link (Left)	1
31	-----	Hex Socket Set Screw M6-10	5
32	F07-J3595	Cylinder Bracket	1
33	F07-U3685	Tilt Pin	1
34	F07-X4281	Potentiometer (5K)	1
35	F07-J3596	Upper Potentiometer Bracket	1
36	F07-X4208	Gear (S)	1
37	F07-Q8703	Sleeve (4-8)	2
38	F07-J3716	Upper Potentiometer Plate	1
39	-----	Round Head Screw M5-8	4
40	F07-U3681	Reclining Cylinder End	1
41	-----	Socket Head Cap Screw M8-20	2
42	-----	Spring Washer M8	4
43	-----	Hex Socket Set Screw M8-8	1
44	F07-X5522	Steel Ball	1
45	F07-TDMJ05A1	Reclining Cylinder	1
46	F07-ERMJ57A0	Ram (30.7-222L)	1
47	F07-L3604	Back Support (Left)	1

## 5. FLANGE SECTION

INDEX NO.	PARTS NO.	DESCRIPTION	Q'TY
48	F07-DAOS18A0	Reclining Ram Pin	1
49	F07-U3243	Bellow Upper Bracket	1
50	F07-T3354	Upper Pump Cover Bracket	1
51	F07-U3219	Upper Pump Cover Bolt	2
52	F07-B3362	Flange	1
53	F07-U3686	Reclining Spring Hook (L)	1
54	-----	Nut M10	1
55	-----	Socket Head Cap Screw M8-25	2
56	F07-U3684	Tilt Link Bracket	1
57	F07-J3873	Tilt Link (Right)	1
58	F07-R8052	Link Shoulder Bolt	1
59	F07-DAOJ63A0	Link Bar	2
60	F07-J3791	Reclining Spring (L)	1
61	F07-L3603	Back Support (Right)	1
62	F07-DAOS19A0	Link Joint Pin	1
63	F07-DAOS20A0	Spring Collar	1
64	-----	E Ring 9	2
65	F07-U3220	Flut Rivet	1
66	F07-U3221	Upper Link Bracket	1
67	F07-T3358	Upper Hose Link	1
68	-----	Truss Head Screw M5-10	1
69	-----	Truss Head Screw M4-10	4
70	F07-HAME42A0	Upper Pump Cover (Rear)	1

## 6. LEGREST SECTION

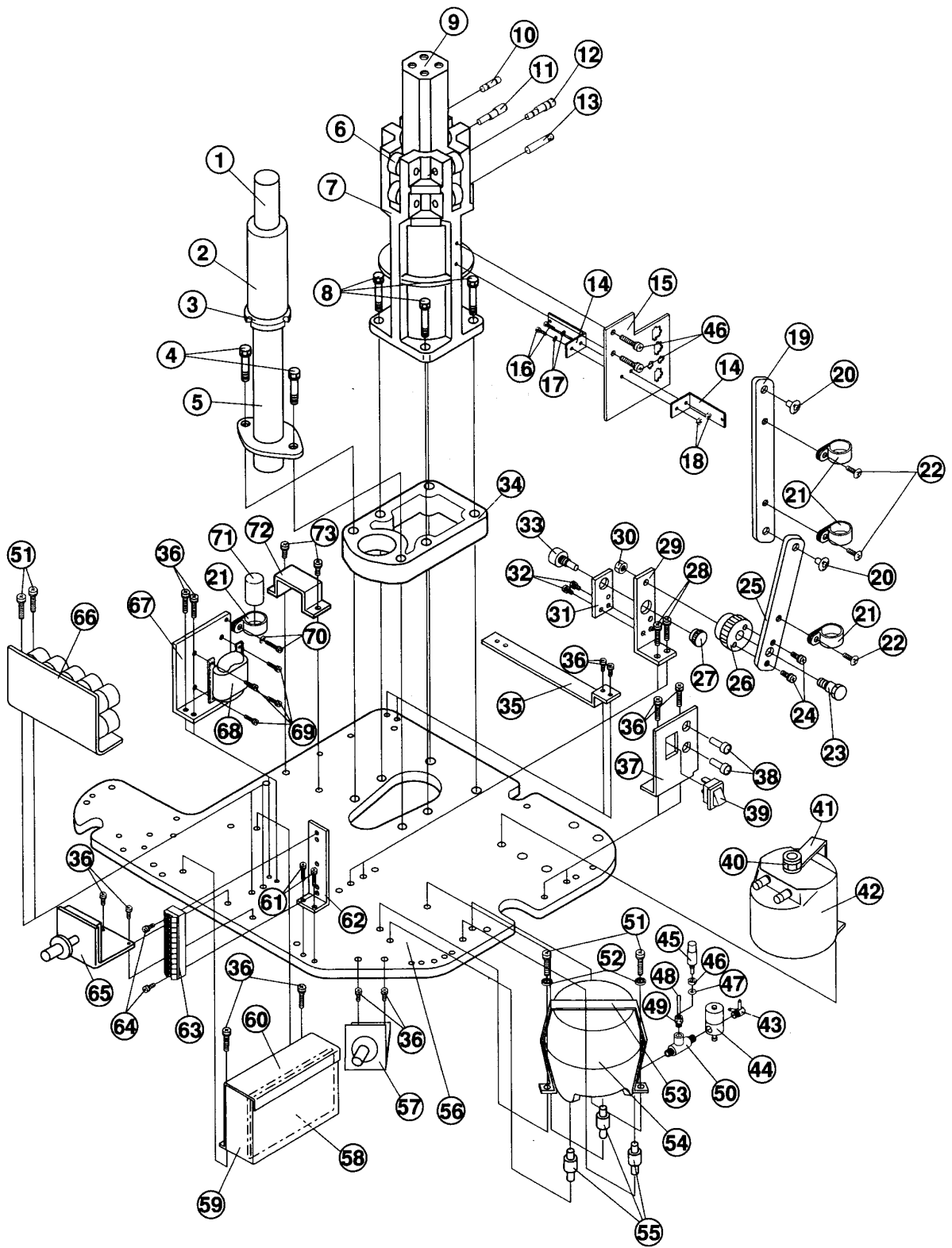


INDEX NO.	PARTS NO.	DESCRIPTION	Q'TY
1	F07-K3231	Seat Plate B	1
2	-----	C-Ring	2
3	-----	Flat Head Hex Socket Cap Screw M4-20	4
4	-----	Flat Head Hex Socket Cap Screw M8-25	6
5	-----	Socket Head Cap Screw M5-15	2
6	-----	E-Ring 9	5
7	F07-R3686	Shaft for Constant Tention Spring	2
8	F07-G0078	Legrest Cylinder Pin	1
9	F07-T3686	Constant Tension Spring Holder	2
10	F07-X4209	Constant Tension Spring	2
11	F07-R3695	Legrest Bracket	2
12	F07-X4208	Gear (S)	1
13	F07-T3690	Legrest Cylinder Bracket	1
14	F07-TDMT22A1	Legrest Cylinder Ass'y	1
15	F07-ERMJ31A0	Ram (30.7-150L)	1
16	F07-R3694	Collar for Legrest Ram Pin	2
17	F07-T3687	Legrest Ram Mount Bracket	1
18	F07-DANR43A0	Gear (L) DSI-50	1
19	F07-R3696	Potentiometer Bracket D	1
20	F07-X4281	Potentiometer	1

## 6. LEGREST SECTION

INDEX NO.	PARTS NO.	DESCRIPTION	Q'TY
21	F07-T3679	Legrest Ram Pin	1
22	-----	C-Ring 10	4
23	F07-T3682	Apron Link A (Left)	1
24	F07-T3683	Apron Link B	2
25	-----	Mut M6	2
26	F07-F1841	Spring Hook	2
27	F07-U3737	Spring Hook Plate	2
28	F07-P3974	Legrest Link Spring	2
29	F07-R3690	Legrest Rotation Pin A	2
30	F07-R3689	Pin	4
31	F07-K3977	Legrest Link A	2
32	F07-R3691	Legrest Rotation Pin B	2
33	-----	Roll Pin 2.5-20L	2
34	F07-T3681	Apron Lin A (Right)	1
35	F07-R3906	Legrest Hook	2
36	F07-L3552	Legrest Frame	1
37	-----	Flat Head Screw M5-8	6
38	F07-T3693	Footrest Spring	2
39	F07-DAMT35AA	Legrest Protector	2
40	F07-T3738	Footrest Protector	1
41	F07-L3553	Footrest Frame	1
42	F07-R3688	Legrest Bar	2
43	F07-J3611	Legrest Pipe	2
44	F07-U3696	Legrest Roller (R-BRF1008)	4
45	F07-T3684	Pillar Slider Bracket	2
46	F07-K3690	Pillar Slider	2
47	-----	Truss Head Screw (M3-4)	6
48	F07-N3609	Footrest Side Cover (Left)	1
49	-----	Truss Head Screw (M4-6)	8
50	F07-N3608	Footrest Side Cover (Right)	1
51	-----	Flat Head Screw (M6-12)	4

# 7. BASE SECTION



## 7. BASE SECTION

INDEX NO.	PARTS NO.	DESCRIPTION	Q'TY
1	F07-ERMJ13A0	Ram (25.7-336L)	1
2	F07-TDMC10A1	Base Cylinder	1
3	F07-TDMQ05A1	Base Cylinder Adjuster Nut	1
4	-----	Bolt (M10-15)	2
5	F07-K3229	Base Cylinder Pipe	1
6	F07-Q3124	Needle Bearing	8
7	F07-B3141	Guide Cylinder	1
8	-----	Bolt (M10-60) 7T	4
9	F07-T3355	Guide Square Bar	1
10	F07-Q3207	Guide Roller Straight Screw with Slot	2
11	F07-F3199	Guide Roller Adjusting Screw	2
12	F07-Q3271	Guide Roller Adjusting Screw with Slot	2
13	F07-F3198	Guide Roller Straight Screw	2
14	F07-U3413	Connector Plate	2
15	F07-T3372	Connector Plate Bracket	1
16	-----	Truss Screw (M4-10)	2
17	-----	Spring Washer M4	2
18	-----	Nut M4	2
19	F07-T3358	Hose Ring (2422L)	1
20	F07-U3220	Flat Rivet	2
21	F07-Q6155	Capacitor Band	4
22	-----	Truss Screw (M5-10)	3
23	F07-G0080	Gear Screw B	1
24	-----	Round Head Screw (M5-10)	2
25	F07-T3357	Lower HOse Link (175L)	1
26	F07-DANR43A0	Gear (DSI-50 M1)	1
27	F07-X4208	Gear (SIS 18B0806)	1
28	-----	Round Screw (M6-40)	2
29	F07-T3356	Hose Link Plate	1
30	-----	Nut M8	1
31	F07-U3222	Potentiometer Bracket	1
32	-----	Round Screw (M5-8)	2
33	F07-X4281	Potentiometer	1
34	F07-T3366	Spacer for Base Cylinder	1
35	F07-T3370	Gas Hose Bracket	1
36	-----	Round Head Screw (M5-12)	10
37	F07-T3442	Main Switch Bracket	1
38	F07-DEQR01A0	Fuse Holder	2
39	F07-DELR10AA	Switch a8a213-1	1
40	F07-Q2069	Nut for Oil Reservoir	1
41	F07-Q3252	Oil Reservoir Holder	1
42	F07-Q3244	Oil Reservoir (C)	1
43	F07-P3499	T-Hose Joint with Orifice	1
44	F07-X5801	Solenoid Valve N221-A 1/4-1/8 (100V)	1
	F07-X5802	Solenoid Valve N221-A 1/4-1/8 (115V)	(1)
	F07-X5803	Solenoid Valve N221-A1/4-1/8(220-240V)	(1)
45	F07-Q2239	Hose (3-250L)	1

## 7. BASE SECTION

INDEX NO.	PARTS NO.	DESCRIPTION	Q'TY
46	F07-Q6241	O-Ring Stopper	6
47	F07-F3470	O-Ring P3	1
48	-----	U-Pin	8
49	F07-SALA02A0	S-Type Joint 02	1
50	F07-Q-2590	T-Joint D	1
51	-----	Round Head Screw (M6-12)	4
52	-----	Flat Washer (M8)	2
53	F07-F6158	Motor Band	1
54	F07-D6063	Motor Pump (100V Type)	1
	F07-D6065	Motor Pump (110/115V Type)	(1)
	F07-D6067	Motor Pump (220V Type)	(1)
	F07-D6069	Motor Pump (230/240V Type)	(1)
55	F07-R1214	Shock Absorber Rubber	3
56	F07-DAOB40A0	Base Plate	1
57	F07-PD00452S	Foot Switch H	1
58	F07-X6021	Relay P.C.Board	1
59	F07-K3228	Relay Box Cover A	1
60	F07-T3219	Relay Box Cover B	1
61	-----	Round Head Screw (M4-8)	2
62	F07-R3466	Terminal Bracket	1
63	F07-X4306	Terminal	1
64	-----	Screw with Nut (M3-16)	2
65	F07-PD00451S	Foot Switch M	1
66	F07-DGOE02A0	Solenoid Valve Unit (100V Type)	1
	F07-DGOE03A0	Solenoid Valve Unit (110/115V Type)	(1)
	F07-DGOE04A0	Solenoid Valve Unit (220V Type)	(1)
	F07-DGOE05A0	Solenoid Valve Unit (230/240V Type)	(1)
67	F07-DAOS01A0	Transformer Bracket	1
68	F07-X7740	Transformer (TR-1 100V)	1
	F07-X8106	Transformer (TR-2 115V)	(1)
	F07-X7742	Transformer (TR-3 220-240V)	(1)
69	-----	Round Head Screw (M4-6)	4
70	-----	Screw with Nut (M4-10)	1
71	F07-X5001	Capacitor (115/220/230/240V)	1
72	F07-U0214	Drain Hose Holder	1
73	-----	Round Head Screw with Nut (M5-12)	2