

**DENTAL CHAIR**

**039 (PRO-II)**

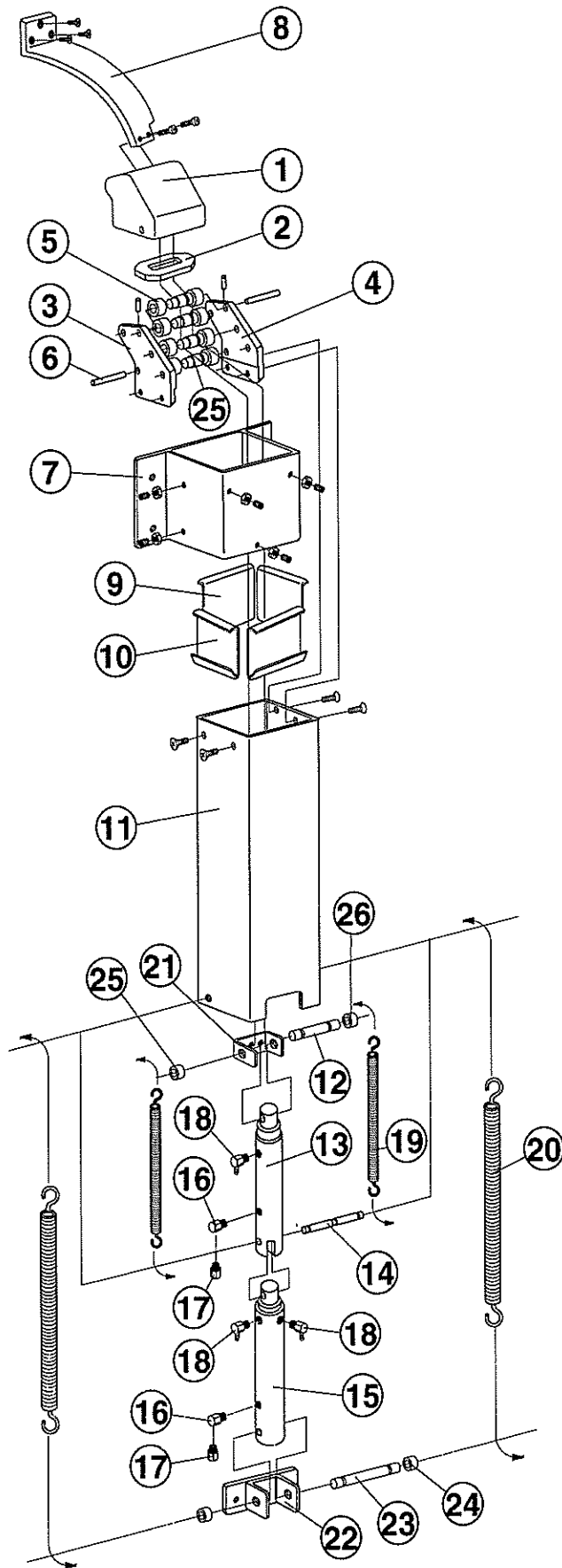
**PARTS LIST**

 **Belmont**

## 039 (PRO-II) PARTS LIST TABLE OF CONTENTS

	Page
1. HEADREST MECHANISM SECTION -----	1
2. BACKREST SECTION -----	2
3. SEAT SECTION -----	3
4. FLANGE SECTION -----	4
5. LEGREST SECTION -----	5
6. PUMP COVER SECTION -----	6
7. BASE SECTION-1 -----	7
8. BASE SECTION-2 -----	8
9. STICK SWITCH SECTION -----	9
10. HEADREST FOOT SWITCH SECTION -----	10
11. HYDRAULIC SECTION -----	11
12. ELECTRIC SECTION -----	12

# 0 1. 039 HEADREST

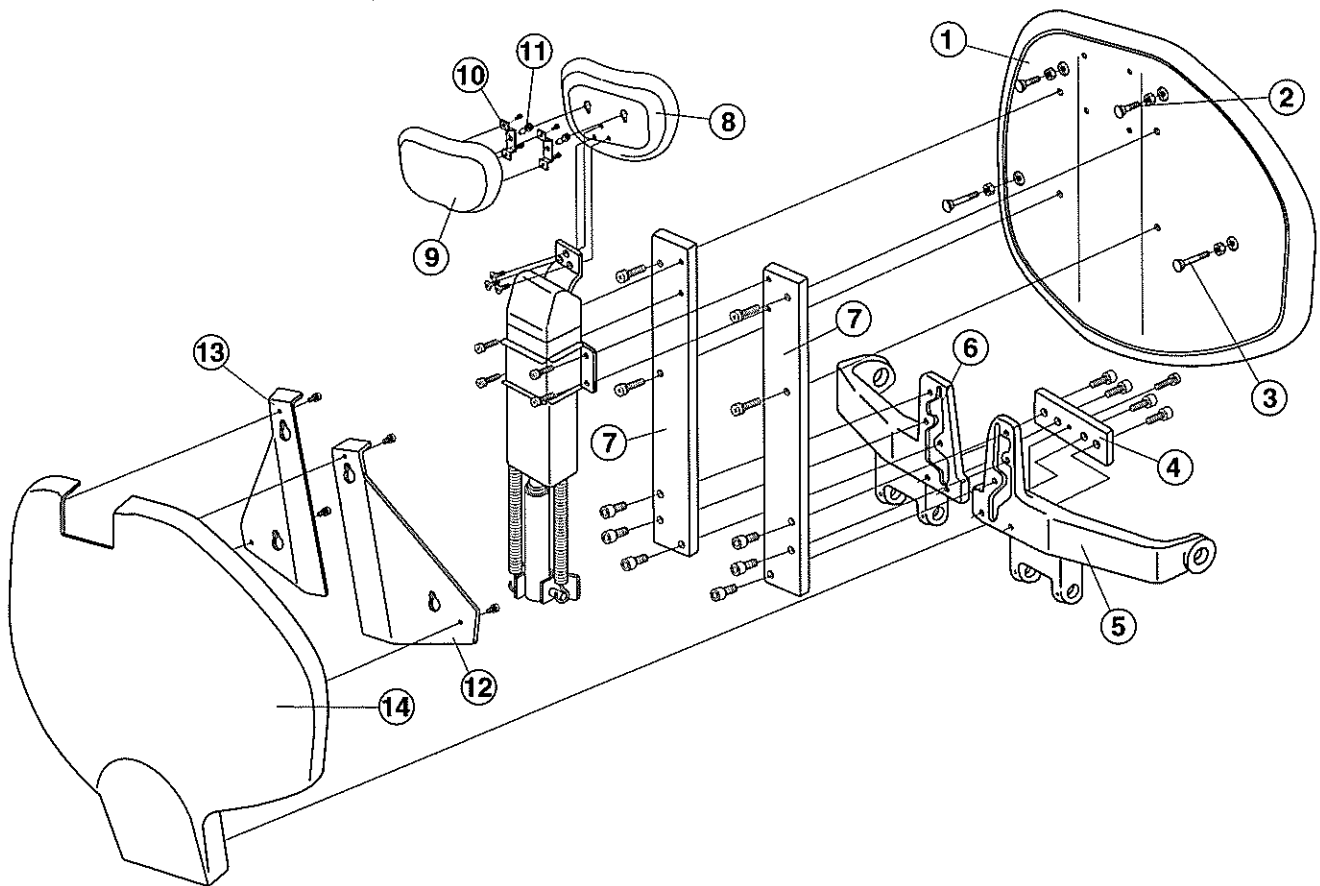


September 1997

## 1. 039 HEADREST MECHANISM SECTION

INDEX NO.	PARTS NO.	DESCRIPTION	Q'TY
1	C04-P3972	Headrest Bar Cover	1
2	C04-R3546	Headrest Bar Guide Rubber	1
3	C04-R3510	Support Plate (Left)	1
4	C04-R3509	Support Plate (Right)	1
5	C04-X6336	Needle Bearing (FJ69)	8
6	C04-R3512	Bearing Shaft	4
7	C04-J3607	Headrest Bar Guide A	1
8	C04-P3964	Headrest Bar	1
9	C04-U3692	Slide Plate (L)	2
10	C04-U3694	Slide Plate (S)	2
11	C04-P3971	Headrest Bar Guide B	1
12	C04-R3515	Rod Pin (S)	1
13	C04-	Headrest Angle Cylinder Ass'y	1
14	C04-R3516	Rod Pin (M)	1
15	C04-	Headrest Extension Cylinder Ass'y	1
16	C04-R3520	Headrest Nipple (PT1/8")	2
17	C04-SALA01A0	Mini Hose Joint Straight (PT1/8")	3
18	C04-R3518	L-Headrest Hose Nipple	1
19	C04-P3973	Headrest Angle Spring	2
20	C04-J3608	Headrest Extension Spring	2
21	C04-R3514	Headrest Angle Cylinder Bracket	1
22	C04-P3969	Headrest Extension Cylinder Bracket	1
23	C04-R3517	Rod Pin (L)	1
24	C04-X6335	Spacer (L=15)	10
25	C04-X6334	Spacer (L=10)	1
26	C04-X6337	Spacer (L=6)	1

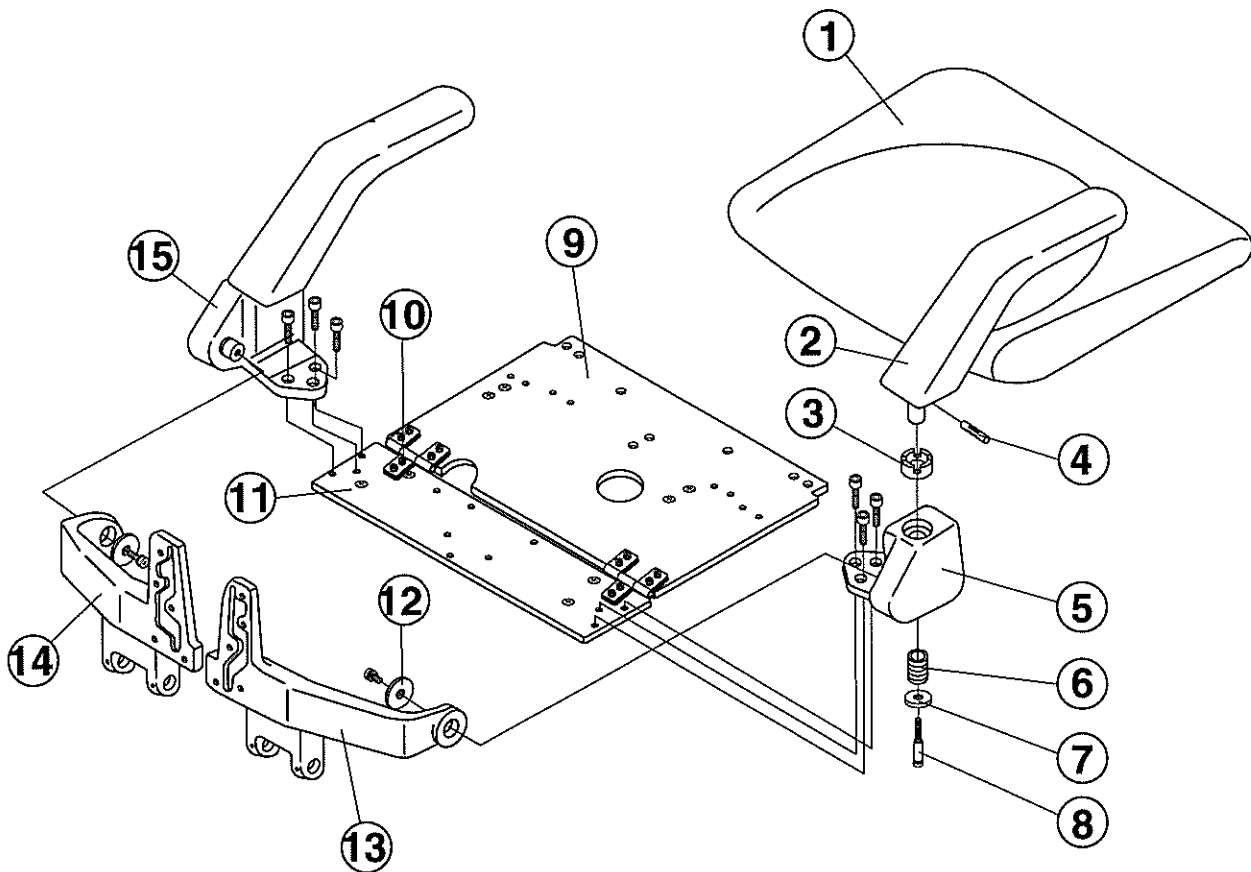
## 2.039 BACKREST SECTION



INDEX NO.	PARTS NO.	DESCRIPTION	Q'TY
1	-----	Backrest Cushion Ass'y	1
2	C04-DAOR69A0	Backrest Cover Fixing Bolt (S)	2
3	C04-DAOR70A0	Backrest Cover Fixing Bolt (L)	2
4	C04-N3523	Back Support Joint	1
5	C04-L3603	Back Support (Right)	1
6	C04-L3604	Back Support (Left)	1
7	C04-DAOE47A0	Backrest Plate	2
8	C04-	Headrest Cushion Ass'y	1
9	C04-HAOF81A0	Headrest Rear Cover	1
10	C04-DEOR77A0	Headrest Cover Fixing Bracket	2
11	C04-DEOR55A0	Headrest Cover Fixing Rivet	2
12	C04-DAOE44A0	Backrest Cover Fixing Bracket (Right)	1
13	C04-DAOE43A0	Backrest Cover Fixing Bracket (Left)	1
14	C04-HAOF82A0	Backrest Cushion Rear Cover	1

September 1997

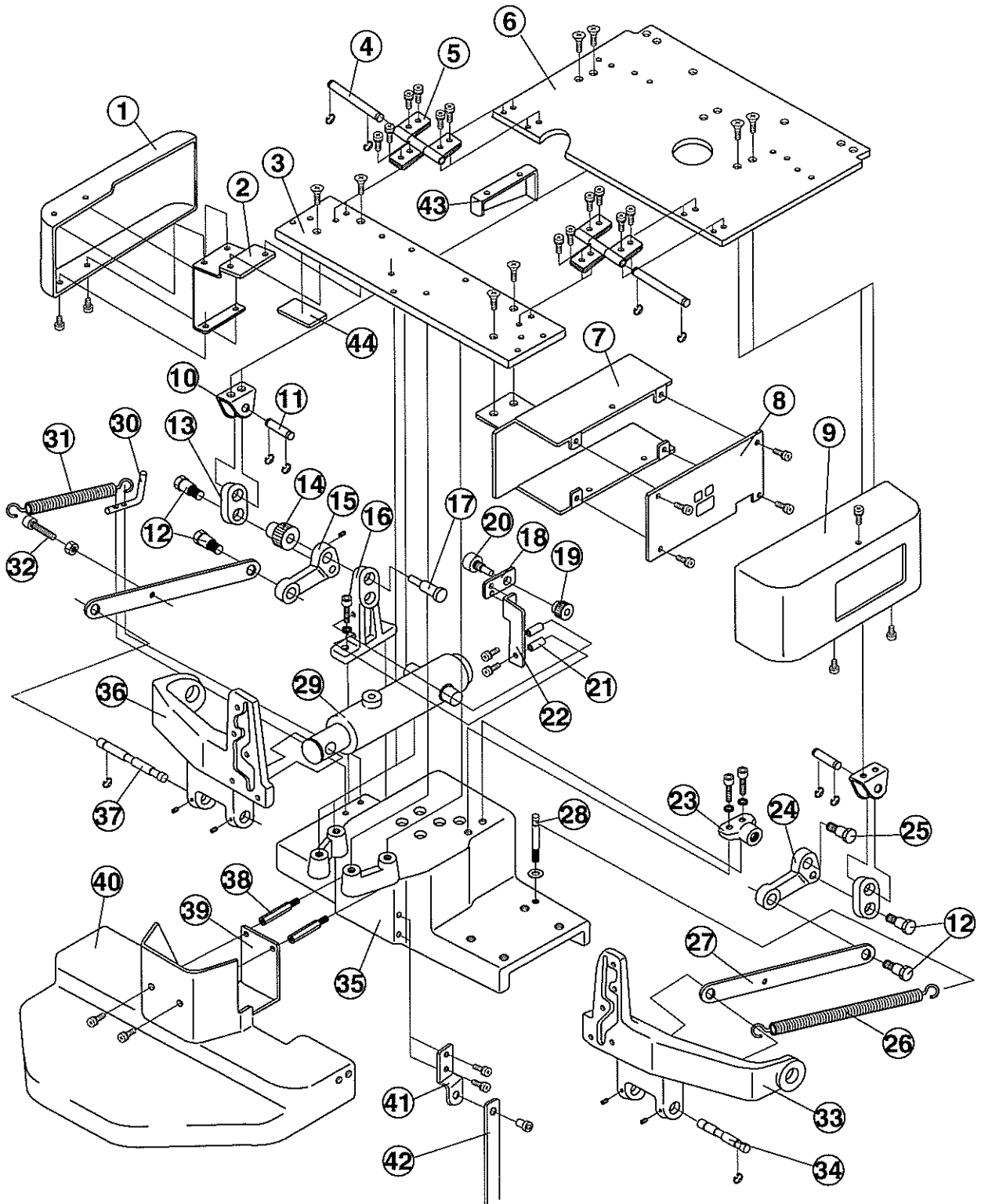
### 3.039 SEAT SECTION



INDEX NO.	PARTS NO.	DESCRIPTION	QTY
1	-----	Seat Cushion Ass'y	1
2	C04-DAME37AA	Armrest	2
3	C04-Q3502	Armrest Cam	2
4	C04-Q3586	Armrest Pin	2
5	C04-DAOE51A0	Armrest Bracket (Right)	1
6	C04-Q3505	Armrest Spring	2
7	C04-U3689	Flat Washer	2
8	-----	Screw (M6)	2
9	C04-K3231	Seat Plate B	6
10	C04-Q3306	Seat Hinge	1
11	C04-K3230	Seat Plate A	1
12	C04-Q3503	Back Support Washer	2
13	C04-L3603	Back Support (Right)	1
14	C04-L3604	Back Support (Left)	1
15	C04-DAOE64A0	Armrest Bracket (Left)	1

September 1997

# 4.039 FLANGE SECTION



September 1997

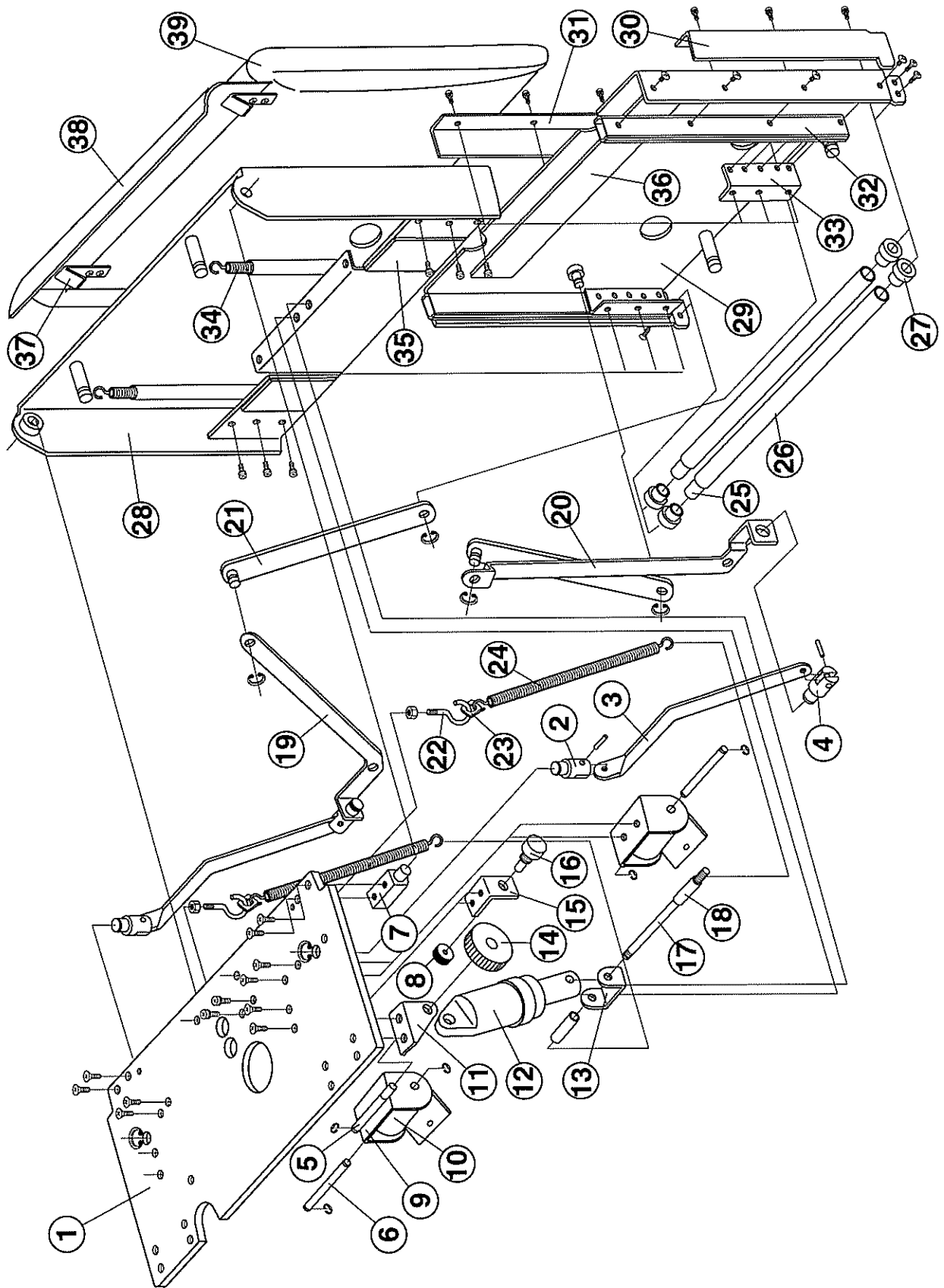
#### 4.039 FLANGE SECTION

INDEX NO.	PARTS NO.	DESCRIPTION	Q'TY
1	C04-HAME59A0	Side Cover	1
2	C04-T3361	Side Cover Bracket	1
3	C04-K3230	Seat Plate A	1
4	C04-R3675	Seat Hinge Pin	2
5	C04-Q3306	Seat Hinge	6
6	C04-K3231	Seat Plate B	1
7	C04-K3234	Control P.C.B. Case	1
8	C04-DALJ01AA	Control P.C.B.	1
9	C04-HAME60A0	Control P.C.B. Cover	1
10	C04-U3683	Tilt Link Bracket	2
11	C04-Q3314	Tilt Link Bracket Pin	2
12	C04-S3510	Tilt Bracket Shoulder Bolt	4
13	C04-U3682	Tilt Link (S)	2
14	C04-X4207	Gear (L)	1
15	C04-T3667	Tilt Link (Left)	1
16	C04-J3595	Cylinder Bracket	1
17	C04-U3685	Tilt Pin	1
18	C04-J3596	Upper Potentiometer Bracket	1
19	C04-X4208	Gear (S)	1
20	C04-X4281	Potentiometer (5K)	1
21	C04-Q8703	Sleeve (4x8)	2
22	C04-J3716	Upper Potentiometer Plate	1
23	C04-U3684	Tilt Link Bracket	1
24	C04-J3873	Tilt Link (Right)	1
25	C04-R8052	Link Shoulder Bolt	1
26	C04-J3971	Reclining Spring (L)	1
27	C04-DAOJ63A0	Link Bar	2
28	C04-U3686	Reclining Spring Hook (L)	1
29	C04-DZOE04A0	Reclining Cylinder	1 set
30	C04-R3673	Reclining Spring Hook (S)	1
31	C04-J3715	Reclining Spring (S)	1
32	C04-S3206	Reclining Spring Bolt	1
33	C04-L3603	Back Support (Right)	1
34	C04-DAOS19A0	Link Joint Pin	1
35	C04-B3361	Flange	1
36	C04-L3604	Back Support (Left)	1
37	C04-DAOS18A0	Reclining Ram Pin	1
38	C04-U3219	Upper Pump Cover Bolt	2
39	C04-T3354	Upper Pump Cover Bracket	1
40	C04-HAME43A0	Upper Pump Cover (Rear)	1
41	C04-U3221	Upper Link Bracket	1
42	C04-T3358	Upper Hose Link	1
43	C04-N3504	Side Protector	1
44	C04-U3789	Ram Protection Rubber	1

September 1997



# 5.039 LEGREST SECTION

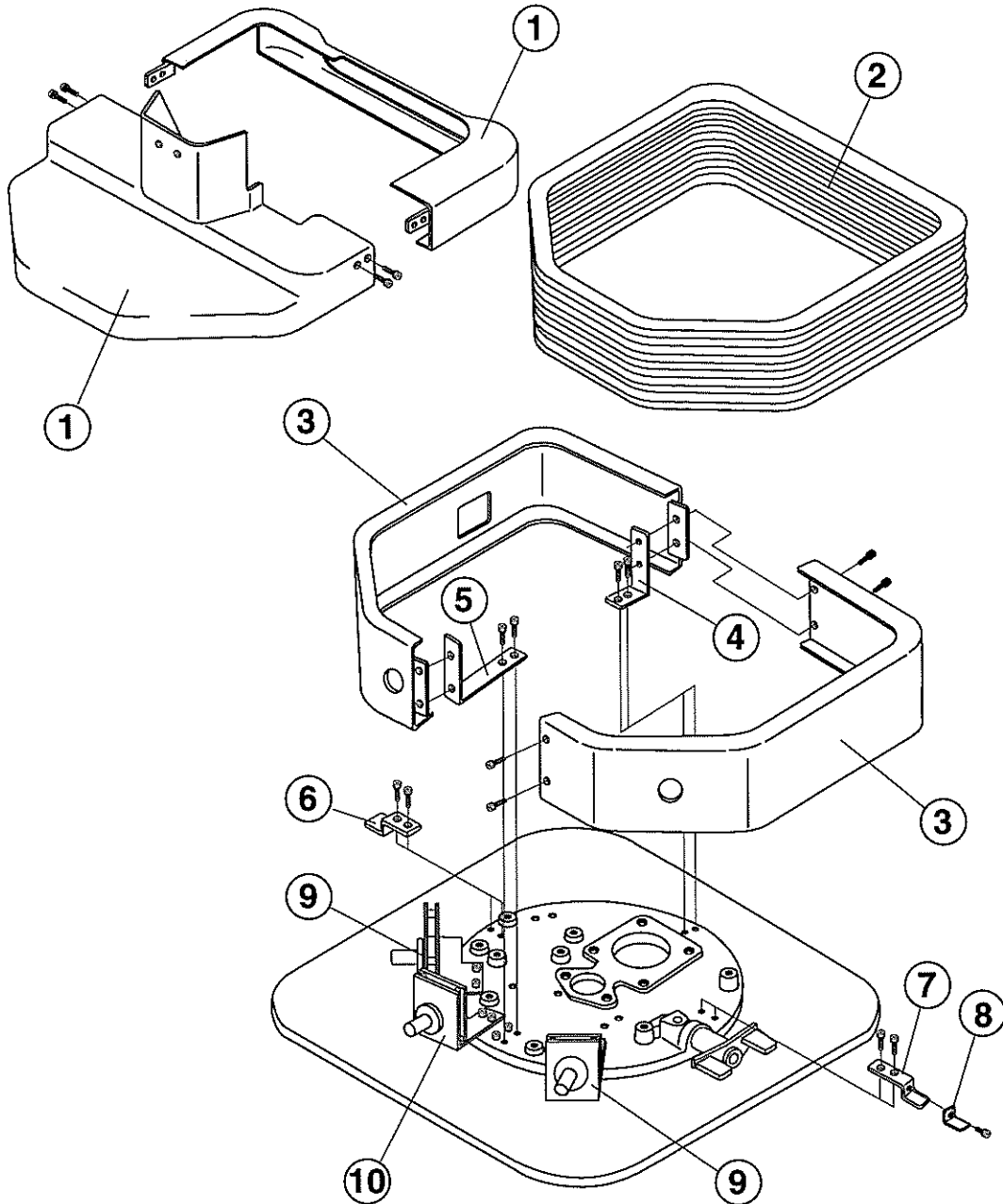


## 5.039 LEGREST SECTION

INDEX NO.	PARTS NO.	DESCRIPTION	Q'TY
1	C04-K3231	Seat Plate B	1
2	C04-R3690	Legrest Rotation Pin A	2
3	C04-K3977	Legrest Link A	2
4	C04-R3691	Legrest Rotation Pin B	2
5	C04-G0078	Legrest Cylinder Pin	1
6	C04-R3686	Shaft for Constant Tension Spring	2
7	C04-R3695	Legrest Bracket	2
8	C04-X4208	Gear (S)	1
9	C04-T3686	Constant Tension Spring Holder	2
10	C04-X4209	Constant Tension Spring	2
11	C04-T3690	Legrest Cylinder Bracket	1
12	C04-Z0131	Legrest Cylinder Ass'y	1 set
13	C04-T3687	Legrest Ram Mount Bracket	1
14	C04-X8100	Gear (L)	1
15	C04-R3696	Potentiometer Bracket D	1
16	C04-X4281	Potentiometer (5K)	1
17	C04-T3679	Legrest Ram Pin	1
18	C04-R3694	Collar for Legrest Ram Pin	2
19	C04-T3682	Apron Link A (Left)	1
20	C04-T3681	Apron Link A (Right)	1
21	C04-T3683	Apron Link B	2
22	C04-F1841	Spring Hook	2
23	C04-U3737	Spring Hook Plate	2
24	C04-P3974	Legrest Link Spring	2
25	C04-R3688	Legrest Bar	2
26	C04-J3611	Legrest Pipe	2
27	C04-U3696	Legrest Roller	4
28	C04-L3552	Legrest Frame	1
29	C04-L3553	Footrest Frame	1
30	C04-N3608	Footrest Side Cover (Right)	1
31	C04-N3609	Footrest Side Cover (Left)	1
32	C04-K3690	Pillar Slider	2
33	C04-T3684	Pillar Slider Bracket	2
34	C04-T3693	Footrest Spring	2
35	C04-DAMT35A0	Legrest Protector	2
36	C04-T3738	Footrest Protector	1
37	C04-R3906	Legrest Hook	2
38	-----	Legrest Flap	1
39	-----	Legrest Cushion Ass'y	1

September 1997

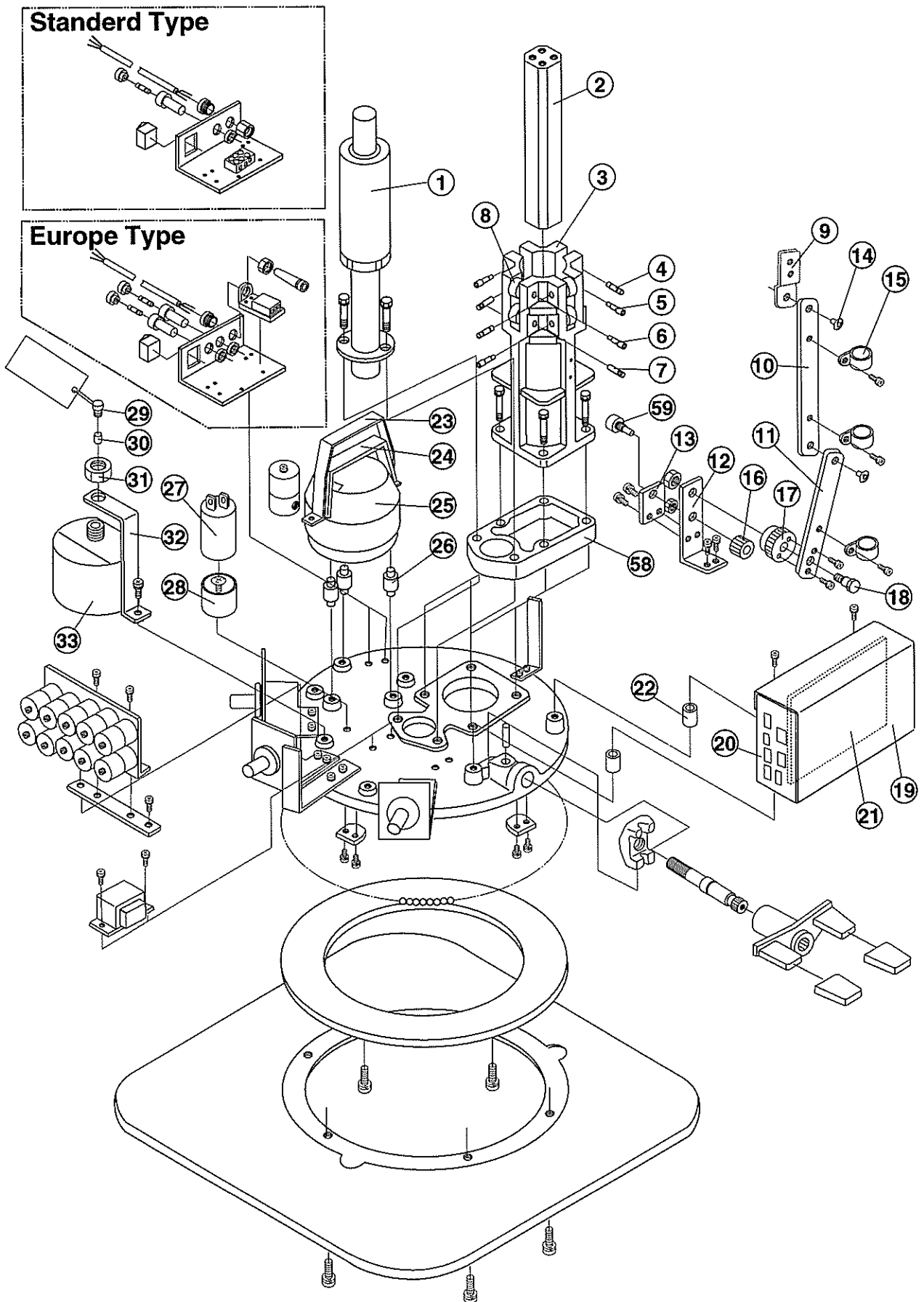
## 6. 039 PUMP COVER SECTION



INDEX NO.	PARTS NO.	DESCRIPTION	Q'TY
1	C04-HAME43A0	Upper Pump Cover (Front & Rear)	1 set
2	C04-DAOB43A0	Bellows	1
3	C04-HAME54A0	Pump Cover (Left & Right)	1 set
4	C04-T3350	Pump Cover Bracket (Front)	1
5	C04-T3351	Pump Cover Bracket (Rear)	1
6	C04-T3353	Cover Fixing Bracket	1
7	C04-T3352	Rotation Stopper	1
8	C04-U3218	Cover Holder	1
9	C04-DD00423S	Stick Switch 4-Way Ass'y	2
12	C03-DD00423S	Stick Switch 2-Way Ass'y	1

September 1997

# 7. 039 BASE SECTION-1

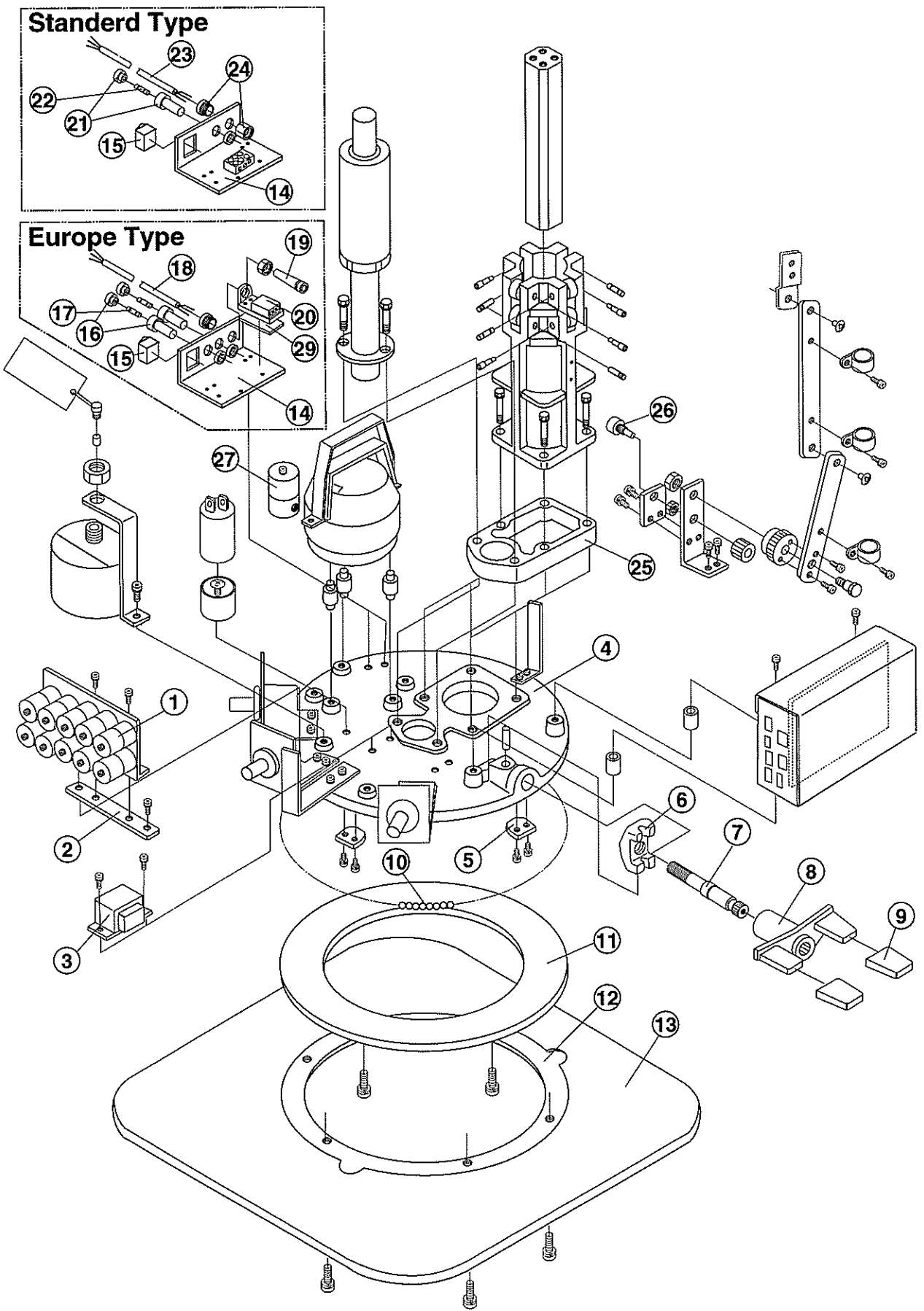


September 1997

## 7. 039 BASE SECTION-1

INDEX NO.	PARTS NO.	DESCRIPTION	Q'TY
1	C04-Z0125	Base Elevation Cylinder Ass'y	1
2	C04-P3179	Guide Bar	1
3	C04-B3141	Guide Cylinder	1
4	C04-Q3207	Guide Roller straight Screw with Slot	2
5	C04-F3199	Guide Roller Adjusting Screw with Slot	2
6	C04-Q3271	Guide Roller Adjusting Screw	2
7	C04-F3198	Guide Roller Straight Screw	2
8	C04-Q3124	Guide Roller	8
9	C04-U3221	Upper Link Bracket	1
10	C04-T3358	Upper Hose Link	1
11	C04-T3396	Lower Hose Link	1
12	C04-T3395	Lower Link Bracket	1
13	C04-U3222	Potentiometer Bracket	1
14	C04-U3220	Rivet	2
15	C04-X5044	Nylon Clamp	3
16	C04-X4208	Gear (S)	1
17	C04-DANR43A0	Gear (L)	1
18	C04-G0080	Gear Fixing Screw	1
19	C04-T3219	Relay Box Cover	1
20	C04-K3228	Relay Box Case	1
21	C04-X6184	Relay P.C.B. (115V)	1
	C04-X6721	Relay P.C.B. (220/230/240V)	(1)
22	C04-U3286	Relay Box Spacer	2
23	C04-F6158	Motor Band (Metal)	1
24	C04-S3020	Motor Belt (Rubber)	1
25	C04-D6065	Motor Pump 5LP (115V)	1
	C04-D6067	Motor Pump 5LP (220V)	(1)
	C04-D6069	Motor Pump 5LP (230/240V)	(1)
26	C04-R1214	Motor Mount	3
27	C04-X5002	Capacitor (115/220/240V)	1
28	C04-F6126	Capacitor Cap	1
29	C04-F6170	Oil Reservoir Plug	1
30	C04-F6142	Oil Reservoir Filter	1
31	C04-Q2069	Oil Reservoir Nut	1
32	C04-Q3360	Oil Reservoir Holder	1
33	C04-C3244	Oil Reservoir C	1

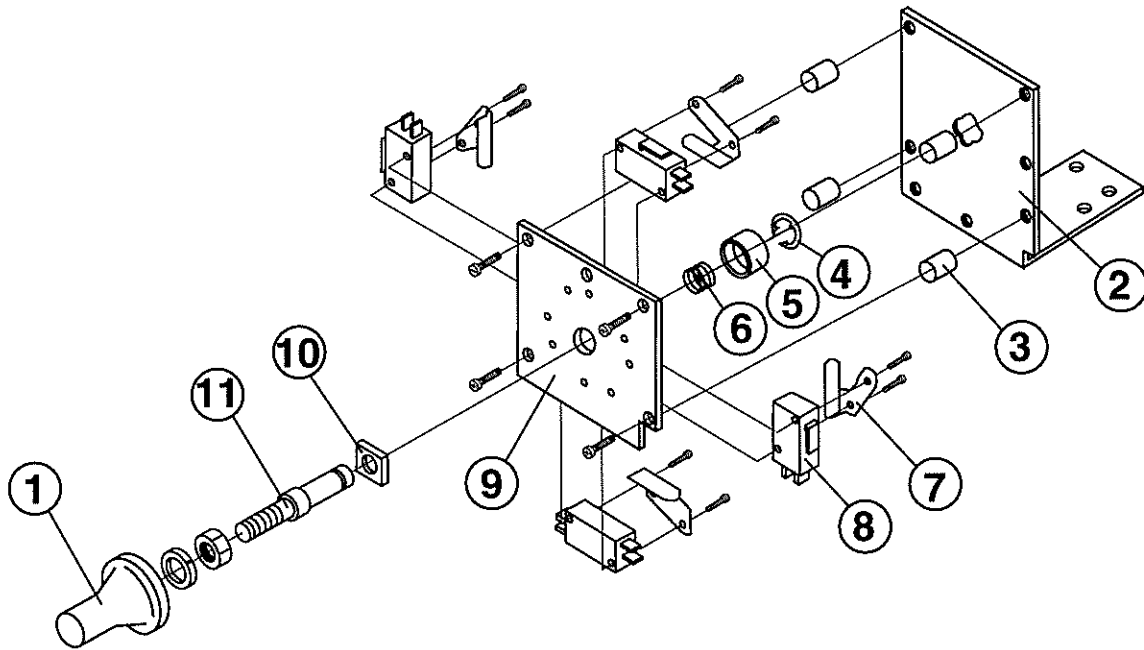
# 8. 039 BASE SECTION-2



## 8. 039 BASE SECTION-2

INDEX NO.	PARTS NO.	DESCRIPTION	Q'TY
1	C04-X4202	Solenoid Valve Block (10-Solenoids) (115V)	1
	C04-X4203	Solenoid Valve Block (10-Solenoids) (220/230/240V)	(1)
2	C04-T3375	Solenoid Valve Block Bracket	1
3	C04-X2801	Transformer (115V)	1
	C04-X2105	Transformer (220V)	(1)
	C04-X2106	Transformer (230/240V)	(1)
4	C04-B3369	Rotation Base	1
5	C04-F6177	Rotation Base Support Plate	3
6	C04-E2037	Lock Shoe	1
7	C04-E2039	Lock Shaft	1
8	C04-K3249	Lock Pedal	1
9	C04-F2146	Lock Pedal Rubber	2
10	C04-F7160	Ball Bearing	139
11	C04-DAOE01A0	Base Ring	1
12	C04-A3089	Base	1
13	C04-A3090	Base Mat	1
14	C04-J3134	Power Supply Panel (Standard Type)	1
	C04-J3082	Power Supply Panel (Europe Type)	(1)
15	C04-DELR10AA	Main Switch (115V)	1
	C04-X6678	Main Switch (220/230/240V)	(1)
16	C04-X6890	Fuse Holder	2
17	C04-X6880	Fuse (6.3A)	2
18	C04-X5190	Power Supply Cable (3m)	1
19	C04-U3418	Grommet	1
20	C04-X1984	Terminal Block	1
21	C04-DEQR01A0	Fuse Holder	1
22	C04-X6966	Fuse (10A)	1
23	C04-X5999	Power Supply Cable (3m)	1
24	C04-X6750	Cable Stopper	1
26	C04-T3366	Guide Cylinder Spacer	1
27	C04-X4281	Potentiometer (5K)	1
28	C04-X5802	Solenoid Valve (PT1/4"-PT1/8") (115V)	1
	C04-X5803	Solenoid Valve (PT1/4"-PT1/8") (220/230/240V)	1
29	C04-T3055	Insulating Plate	1

## 9.039 STICK SWITCH SECTION

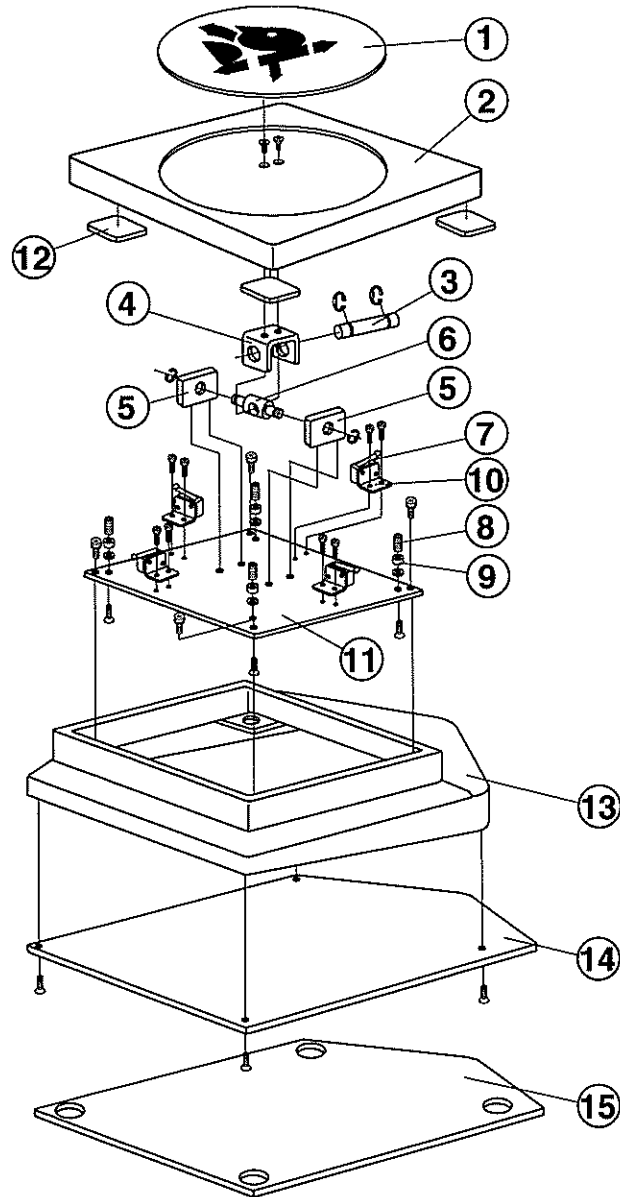


INDEX NO.	PARTS NO.	DESCRIPTION	Q'TY
1	C04-DAOS38A0	Stick Switch Pedal	1
2	C04-T3364	Stick Switch Bracket A (4 Way Switch)	1
3	C04-X6335	Spacer (ID.6-15)	4
4	-----	E-Ring (E7)	1
5	C04-U3238	Stick Switch Roller	1
6	C04-U3240	Stick Switch Spring	1
7	C04-U3239	Switch Plate	4
8	C04-X6014	Micro Switch (D2MY-01-IC3)	4
9	C04-U3236	Stick Switch Plate	1
10	C03-U3497	Stick Supporting Plate	1
11	C04-U3237	Stick Switch Shaft	1
	C04-DD00423S	Stick Switch 4-Way Assembly (1 to 11)	

September 1997



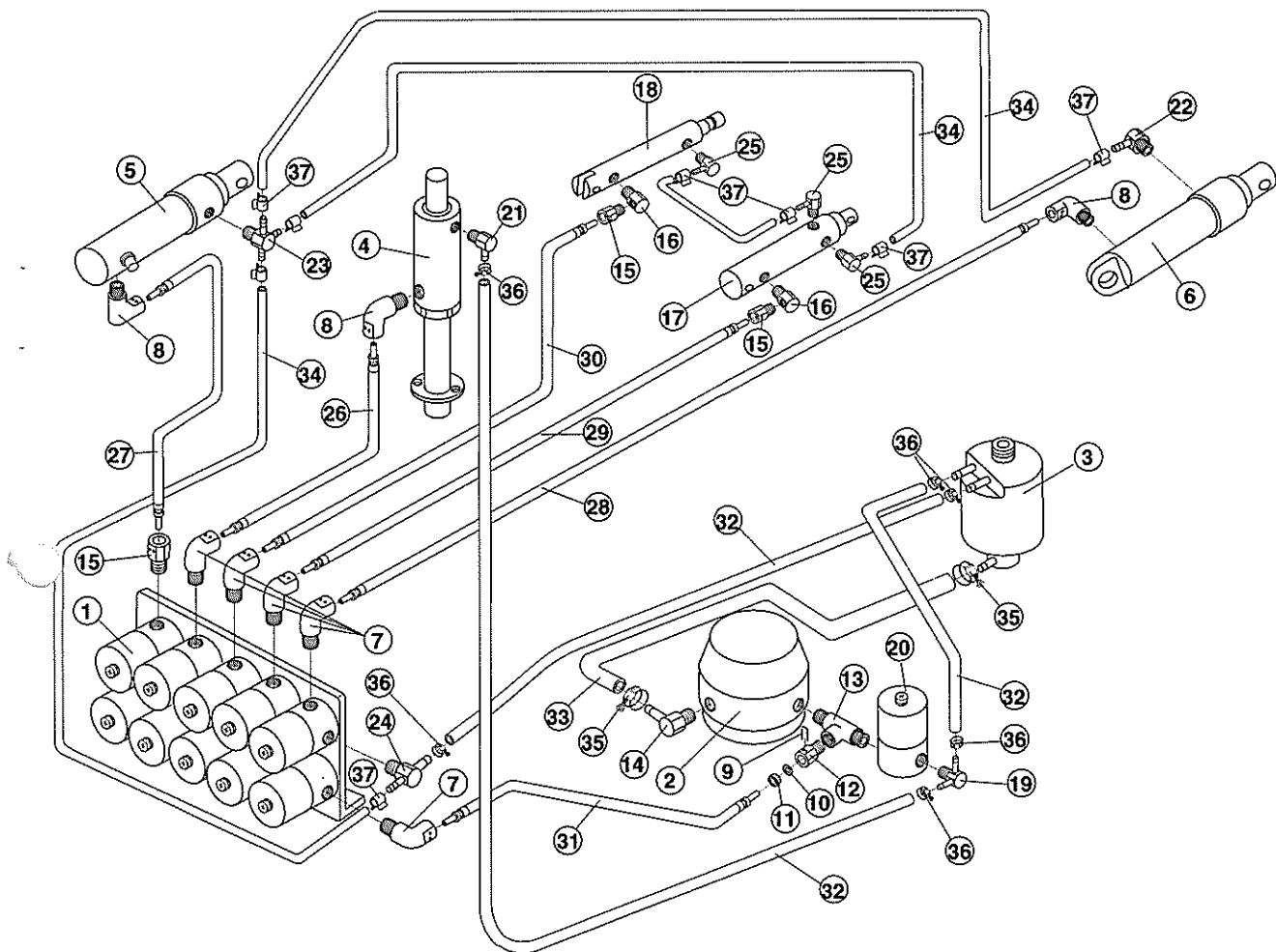
## 10. 039 HEADREST FOOT SWITCH SECTION



INDEX NO.	PARTS NO.	DESCRIPTION	Q'TY
1	C04-T3021	Headrest Foot Switch Mark	1
2	C04-P3478	Foot Switch Pedal	1
3	C04-R3228	Rotation Shaft (S)	1
4	C04-R3245	Rotation Shaft Bracket	1
5	C04-R3230	Rotation Shaft Plate	2
6	C04-R3229	Rotation Shaft (L)	1
7	C04-X6270	Micro Switch (AH324661)	4
8	C04-R3231	Micro Switch Spring	4
9	C04-R3364	Spring Metal	4
10	C04-R3227	Micro Switch Bracket	4
11	C04-R3244	Foot Switch Plate	1
12	C04-R3247	Cushion Rubber	4
13	C04-K3025	Foot Switch Base	1
14	C04-P3479	Foot Switch Bottom Cover	1
15	C04-T3018	Foot Switch Bottom Rubber	1

September 1997

# 11. 039 HYDRAULIC SECTION



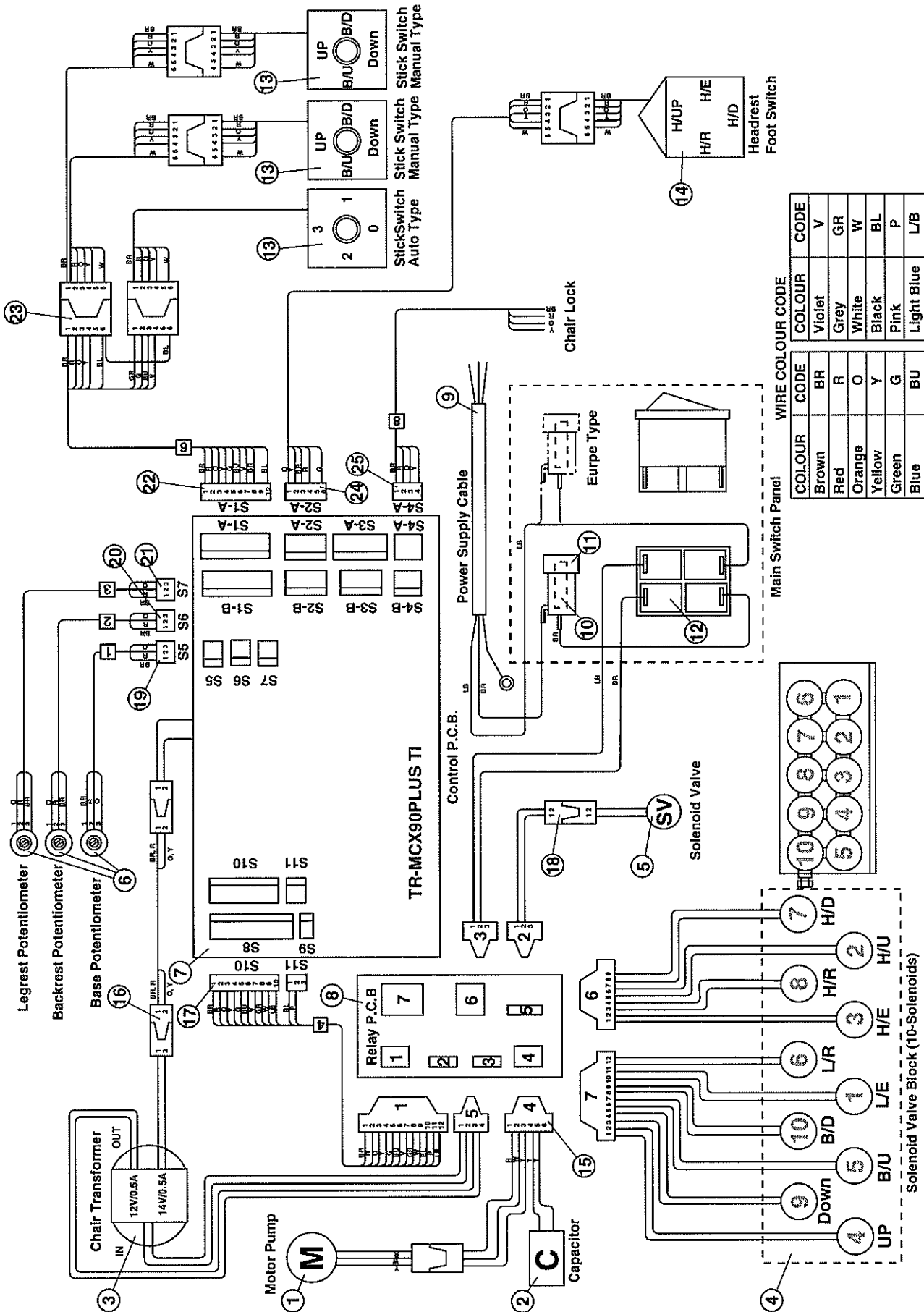
INDEX NO.	PARTS NO.	DESCRIPTION	Q'TY
1	C04-X4202	Solenoid Valve Block (10-Solenoids) (115V)	1
	C04-X4203	Solenoid Valve Block (10-Solenoids) (220V/230/240V)	(1)
2	C04-D6065	Motor Pump 5LP (115V)	1
	C04-D6067	Motor Pump 5LP (220V)	(1)
	C04-D6069	Motor Pump 5LP (240V)	(1)
3	C04-C3244	Oil Reservoir C	1
4	C04-Z0118	Base Elevation Cylinder Ass'y	1
5	C04-DZOE04A0	Reclining Cylinder Ass'y	1
6	C04-Z0131	Legrest Cylinder Ass'y	1
7	C04-SALA05A0	Mini Hose Joint Elbow (PT1/8")	5
8	C04-SALA06A0	Mini Hose Joint Elbow (PT1/4")	3
9	C04-Q6237	U-Pin	12
10	C04-F3470	O-Ring (P3)	12
11	C04-Q6241	Retainer Ring	12
12	C04-SALA02A0	Mini Hose Joint Straight (PT1/4")	1
13	C04-Q2590	T-Joint D	1
14	C04-F2409	L-Motor Nipple (PT1/4")	1
15	C04-SALA01A0	Mini Hose Joint Straight (PT1/8")	3

September 1997

## 11. 039 HYDRAULIC SECTION

INDEX NO.	PARTS NO.	DESCRIPTION	Q'TY
16	C04-R3520	Headrest Nipple (PT1/8")	2
17	C04-Z0119	Headrest Elevation Cylinder Ass'y	1
18	C04-Z0128	Headrest Angle Cylinder Ass'y	1
19	C04-P3499	T-Hose Joint with Orifice (PT1/8")	1
20	C04-X5802	Solenoid Valve (PT1/4"-PT1/8") (115V)	1
	C04-X5803	Solenoid Valve (PT1/4"-PT1/8") (220V/230/240V)	(1)
21	C04-Q3401	L-Hose Nipple (S) (PT1/8")	1
22	C04-Q3300	Cylinder Nipple	1
23	C04-R3685	3-Outlet Hose Joint (PT1/8")	1
24	C04-Q3585	T-Hose Joint (PT1/8")	1
25	C04-R3518	L-Headrest Hose Nipple	3
26	C04-Q2239	High Pressure Hose (L=250)	1
27	C04-R3472	High Pressure Hose (L=1150)	1
28	C04-R1362	High Pressure Hose (L=1300) (Standard Type)	1
	C04-U5035	High Pressure Hose (L=1400) (Europe Type)	(1)
29	C04-R1362	High Pressure Hose (L=1300)	1
30	C04-R3492	High Pressure Hose (L=1800)	1
31	C04-Q2243	High Pressure Hose (L=58)	1
32	C04-X5557	Low Pressure Hose (ID.5)	/
33	C04-Q2279	Low Pressure Hose (ID.8)	/
34	C04-X5513	Low Pressure Hose (ID.4)	/
35	C04-F3236	Wire Clamp (ID.14)	2
36	C04-F2268	Wire Clamp (ID.10)	6
37	C04-X7995	Plate Clamp	8

# 12. 039 ELECTRICAL SECTION



September 1997

## 12. 039 ELECTRICAL SECTION

### ELECTRIC PARTS SECTION

INDEX NO.	PARTS NO.	DESCRIPTION	Q'TY
1	C04-D6065	Motor Pump 5LP (115V)	1
	C04-D6067	Motor Pump 5LP (220V)	(1)
	C04-D6069	Motor Pump 5LP (230/240v)	(1)
2	C04-X5002	Capacitor (115/220/230/240v)	1
3	C04-X2801	Transformer (115V)	1
	C04-X2105	Transformer (220V)	(1)
	C04-X2106	Transformer (230/240V)	(1)
4	C04-X4202	Solenoid Valve Block (10-Solenoids) (115V)	1
	C04-X4203	Solenoid Valve Block (10-Solenoids) (220/230/240V))	(1)
5	C04-X5802	Solenoid Valve (PT1/4"-PT1/8") (115V)	1
	C04-X5803	Solenoid Valve (PT1/4"-PT1/8") (220/230/240V)	(1)
6	C04-X4281	Potentiometer (5K)	3
7	C04-DALJ01AA	Control P.C.B.	1
8	C04-X6184	Relay P.C.B. (115V)	1
	C04-X6721	Relay P.C.B. (220/230/240V)	(1)
9	C04-X5999	Power Supply Cable (3m)	1
10	C04-X6966	Fuse (10A) (115V)	1
	C04-X6888	Fuse (6.3A) (220/230/240V, Standard Type)	(1)
	Co4-X6888	Fuse (6.3A) (220/230/240V, Europe Type)	(2)
11	C04-DEQR01AA	Fuse Holder (Standard Type)	1
	C04-X6890	Fuse Holder (Europe Type)	(2)
12	C04-DELR10AA	Main Switch (115V)	1
	C04-X6678	Main Switch (220/230/240V)	(1)
13	C04-DD00423S	Stick Switch 4-Way Ass'y	3
14	-----	Headrest Foot Switch Ass'y	1

### ELECTRIC PARTS SECTION

INDEX NO.	PARTS NO.	DESCRIPTION	Q'TY
15	C04-PRO-2 B-02	Wire Harness (Relay P.C.B To Motor & Capacitor)	1
16	C04-PRO-2 B-01	Wire Harness (Control P.C.B to Transformer)	1
17	C04-PRO-2 A-04	Wire Harness (Relay P.C.B to Control P.C.B)	1
18	C04-PRO-2 B-03	Wire Harness (Relay P.C.B to Solenoid Valve)	1
19	C04-PRO-2 A-1	Wire Harness (Control P.C.B to Base Potentiometer)	1
20	C04-PRO-2 A-2	Wire Harness (Control P.C.B to Backrest Potentiometer)	1
21	C04-PRO-2 A-3	Wire Harness (Control P.C.B To Legrest Potentiometer)	1
22	C04-PRO-2 A-06	Wire Harness (Control P.C.B to Stick Switch Connector)	1
23	C04-PRO-2 A-11	Wire Harness (Stick Switch to Stick Switch Connector)	1
24	C04-PRO-2 A-12	Wire Harness (Control P.C.B to Headrest Foot Switch)	1
25	C04-PRO-2 A-15	Wire Harness (Control P.C.B to Chair Lock)	1

September 1997

