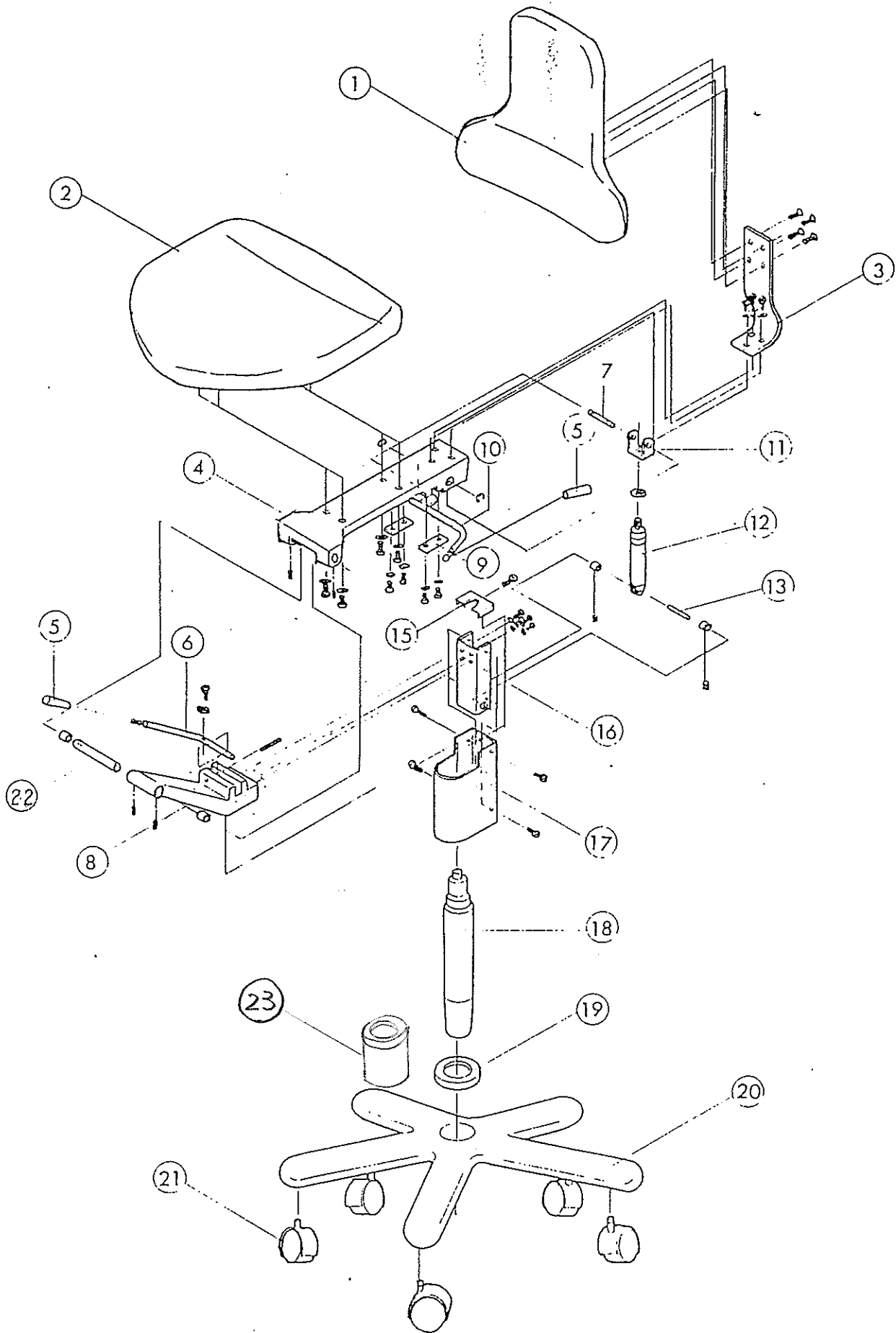


Dr.100



Dr.100 (DX-004D)

ID. NO.	PARTS NO.	DESCRIPTION	QTY
1	-	BACKREST ASS'Y W/UPH.	1
2	-	SEAT CUSHION ASS'Y W/UPH.	1
3	M-3763	BACKREST BAR	1
4	E-3991	SEAT FLANGE	1
5	F-3227	LEVER KNOB	2
6	K-3093	LIFTING LEVER	1
7	U-3009	TILTING PIN (UPPER)	1
8	K-3402	CYLINDER FLANGE	1
9	U3007	TILTING LEVER FLANGE	2
10	K-3094	TILTING LEVER	1
11	U-3008	TILTING BACKREST	1
12	T-3197	TILTING GAS CYLINDER	1
13	U-3006	TILTING PIN (LOWER)	1
15	U-3005	CYLINDER CAP	1
16	K-3404	TILTING SUPPORT BACKREST	1
17	K-3403	CYLINDER COVER	1
18	DETR06A0	LIFTING GAS CYLINDER	1
19	T-3192	CYLINDER COLLAR	1
20	AAEA08A0	5-LEGGED BASE	1
21	AADR92A0	CASTER	5
	AEFT28A0	CASTER W/BRAKE (GERMAN SPEC.)	(5)
22	S-3085	TILTING PIN	1
23	AAFR41A0	SLEEVE	1