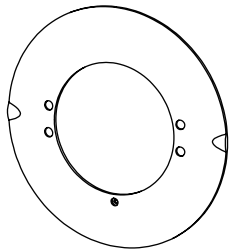
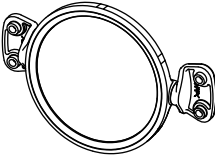
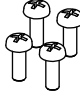


Installation Manual for Patient Mirror

■ Packing components

		
New Frame Cover (with Screw Holes)	Mirror Assembly	Pan Head Screw M4-10

■ Installation procedures

- ① Replace with new frame cover. Refer to fig a.
Remove pan head screw (M3-5) and remove the frame cover from the head by turning frame cover clockwise.
Fix the new frame cover (with screw holes) to the head with pan head screw (M3-5).
- ② Confirm the wave washer position is at the right side of the mirror (view from rear), and fix the mirror assembly with four pan head screws. Refer to fig b.
*When mirror rotation is loose, push the mirror bracket to the inside direction and fix it. Refer to fig c.
*After installation, confirm the mirror angle is kept at 5 degrees upward. Refer to fig d.

